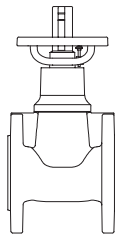


Free of maintenance stop valve - soft sealed (to 120°C)



ARI-EURO-WEDI® -
Straight through with flanges

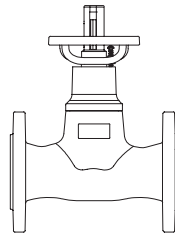
Grey cast iron
Fig. 070



Page 2

ARI-EURO-WEDI® -
Straight through with flanges

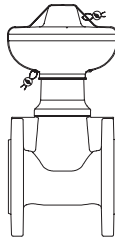
Grey cast iron
Fig. 071



Page 2

ARI-EURO-WEDI® - Hood valve
Straight through with flanges

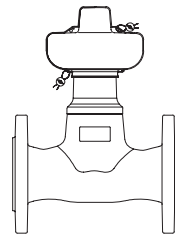
Grey cast iron
Fig. 072



Page 3

ARI-EURO-WEDI® - Hood valve
Straight through with flanges

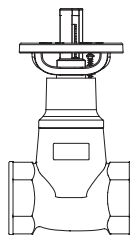
Grey cast iron
Fig. 073



Page 3

ARI-EURO-WEDI® -
Straight through
with screwed socket connection

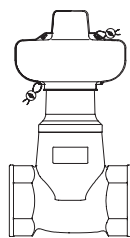
Grey cast iron
Fig. 076



Page 6

ARI-EURO-WEDI® - Hood valve
Straight through
with screwed socket connection

Grey cast iron
Fig. 078



Page 5

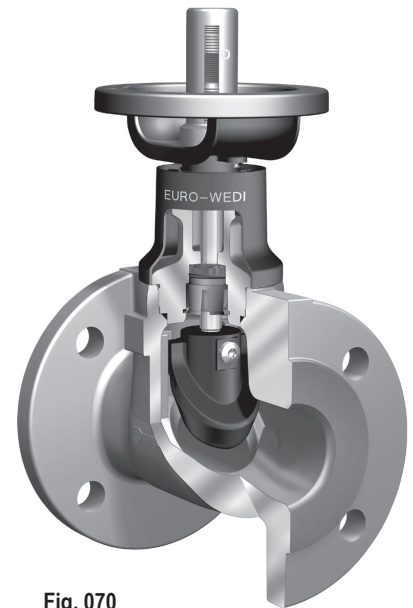


Fig. 070

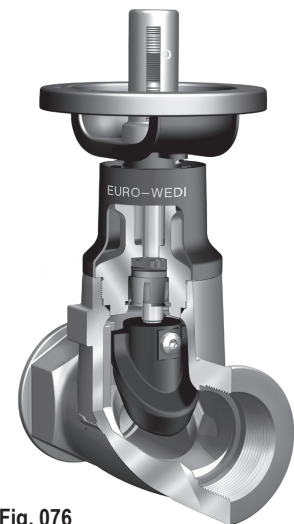


Fig. 076

Features:

- Maintenance-free
- Soft sealing
- Good flow characteristic due to excellent Zeta-values
- Position indicator as standard
- Plug with throttling function
- Travel limiter and locking device serienmäßig
- Non-rising handwheel
- Non-rotation lock for all nominal diameters
- External stem thread
- Double sealing mechanism
- Free of FCKW and PCB
- Insulating cap with integrated dew point barrier
- Complete insulation possible according to the german „Energy saving order - EnEV“

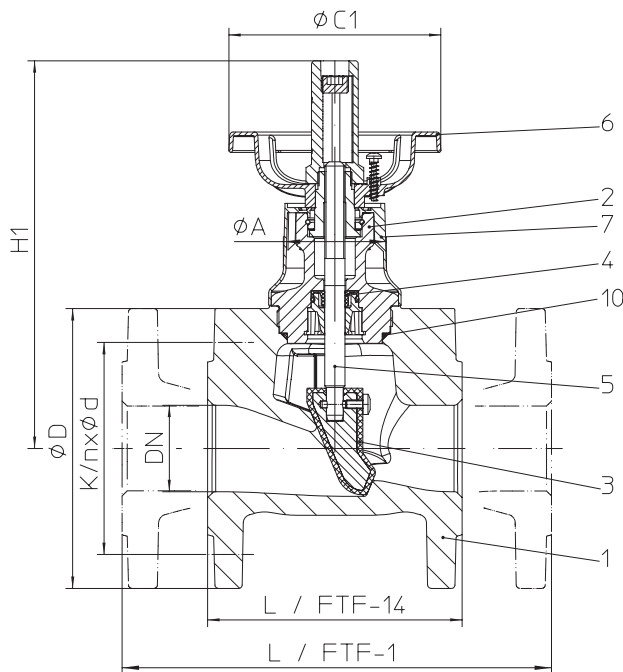
Stop valve - straight through with flanges and soft seal - Face-to-face length FTF-14 and FTF-1 (Grey cast iron)


Figure	Nominal pressure	Material	Nominal diameter	Face-to-face dimension
10.070	PN 6	EN-JL1040	DN15-200	FTF-14
12.070	PN 16	EN-JL1040	DN15-200	FTF-14
10.071	PN 6	EN-JL1040	DN15-200	FTF-1
12.071	PN 16	EN-JL1040	DN15-200	FTF-1

EPDM-plug; unsuitable for media containing mineral oil !
Operating temperature: -10°C to +120°C (for a short time up to +130°C)
Selection of possible applications

 Heating facilities, AIR conditioning facilities
 (other applications on request)

Selection of possible flow media

 Water, water with cold-protection, etc.
 (other flow media on request)

Parts

Pos.	Description	Fig. 10.070 / 12.070 / 10.071 / 12.071
1	Body	EN-JL1040, EN-GJL-250
2	Bonnet	EN-JL1040, EN-GJL-250
3	Plug *	EN-JL1040, EN-GJL-250 / EPDM
4	Sealing ring	EPDM 70
5	Stem	X20Cr13+QT, 1.4021+QT
6	Handwheel	DN15-100: PA 6; DN125-150: DC01, 1.0330 (epoxy-coating); DN200: EN-GJS-400-15, EN-JS1030 (epoxy-coating)
7	Insulating cap	PA 6.6 (eroded acc. to VDI 3400/39)
10	O-ring *	EPDM 70

* Spare part

Information / restriction of technical rules need to be observed!

Operating instructions can be ordered by phone +49 (0)5207 / 994-0 or fax +49 (0)5207 / 994-158 or -159.

ARI-Valves of EN-JL1040 are not allowed to be operated in systems acc. to TRD 110.

The engineer, designing a system or a plant, is responsible for the selection of the correct valve.

Dimensions

Nominal diameter	(mm)	15	20	25	32	40	50	65	80	100	125	150	200
L / FTF-14 (10./12.070)	(mm)	115	120	125	130	140	150	170	180	190	200	210	230
L / FTF-1 (10./12.071)	(mm)	130	150	160	180	200	230	290	310	350	400	480	600
H1	(mm)	190	190	190	190	230	230	260	310	320	390	470	630
ØA	(mm)	42	42	42	42	60	60	60	87	87	87	87	87
ØC1 (10.070: FTF-14 / PN 6)	(mm)	80	80	80	80	125	125	125	140	140	180	210	180
ØC1 (12.070: FTF-14 / PN 16)	(mm)	80	80	80	80	125	125	125	140	140	180	210	190
ØC1 (10.071: FTF-1 / PN 6)	(mm)	80	80	80	80	125	125	125	140	140	140	210	400
ØC1 (12.071: FTF-1 / PN 16)	(mm)	80	80	80	80	125	125	125	140	140	140	210	400
Travel	(mm)	20	23	23	23	28	35	40	58	58	70	90	125
Kvs-value (10./12.070: FTF-14)	(m³/h)	9,1	17,4	31,8	32,7	81	84	155	231	312	583	743	1518
Kvs-value (10./12.071: FTF-1)	(m³/h)	8,4	18,6	32	29,4	78	83	151	216	308	532	878	1533
Zeta-value (10./12.070: FTF-14)	--	1,0	0,8	0,6	1,6	0,6	1,4	1,2	1,2	1,6	1,2	1,5	1,1
Zeta-value (10./12.071: FTF-1)	--	1,2	0,8	0,6	1,6	0,7	1,5	1,3	1,4	1,7	1,4	1,0	1,1

Zeta-value ... range of tolerance for Kvs-values acc. to VDI/VDE 2173

Standard-flange dimensions refer to page 6

Face-to-face dimension FTF series 14 acc. to DIN EN 558

Weights

Nominal diameter	(mm)	15	20	25	32	40	50	65	80	100	125	150	200
10.070	(kg)	2,5	3,3	3,6	4,3	6,6	7	10,2	14,9	21	29	33,2	65
12.070	(kg)	3,4	3,8	4,3	5,4	7,6	9,1	12,8	16,5	24,5	28,6	38,3	74
10.071	(kg)	3	3,4	4,6	4,7	7	8,3	12,1	16	25	31	43	95
12.071	(kg)	3,5	3,9	4,5	5,6	8	9,8	13	18,3	28,6	34,8	48,8	105

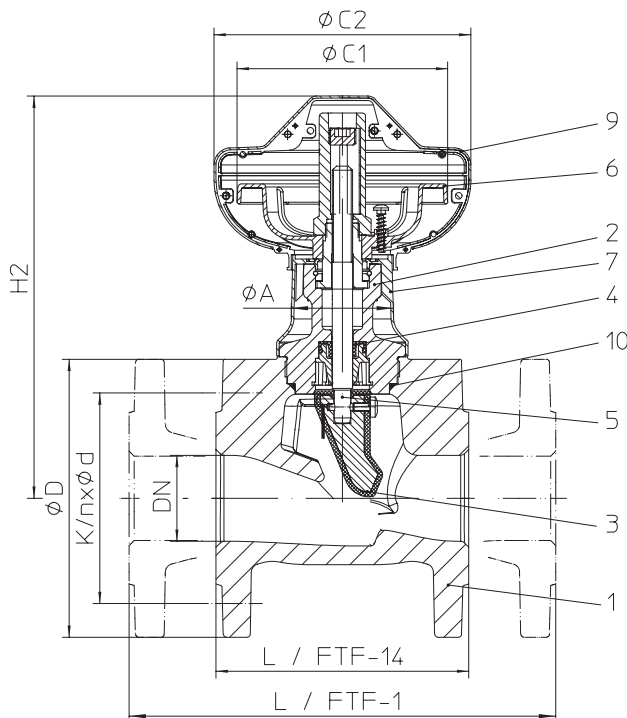
Stop valve - straight through with flanges and soft seal - as hood valve - Face-to-face length FTF-14 and FTF-1 (Grey cast iron)


Figure	Nominal pressure	Material	Nominal diameter	Face-to-face dimension
10.072	PN 6	EN-JL1040	DN15-200	FTF-14
12.072	PN 16	EN-JL1040	DN15-200	FTF-14
10.073	PN 6	EN-JL1040	DN15-200	FTF-1
12.073	PN 16	EN-JL1040	DN15-200	FTF-1

EURO-WEDI-Hood valve gegen unbeabsichtigtes Schließen gemäß DIN EN 12828.

Handwheel-Ø from DN125 reduced.

EPDM-plug; unsuitable for media containing mineral oil !

Operating temperature: -10°C to +120°C (for a short time up to +130°C)

Selection of possible applications

Heating facilities, AIR conditioning facilities
(other applications on request)

Selection of possible flow media

Water, water with cold-protection, etc.
(other flow media on request)

Parts

Pos.	Description	Fig. 10.072 / 12.072 / 10.073 / 12.073
1	Body	EN-JL1040, EN-GJL-250
2	Bonnet	EN-JL1040, EN-GJL-250
3	Plug *	EN-JL1040, EN-GJL-250 / EPDM
4	Sealing ring	EPDM 70
5	Stem	X20Cr13+QT, 1.4021+QT
6	Handwheel	DN15-100: PA 6; DN125-150: DC01, 1.0330 (epoxy-coating); DN200: EN-GJS-400-15, EN-JS1030 (epoxy-coating)
7	Insulating cap	PA 6.6 (eroded acc. to VDI 3400/39)
9	Guard cap	PP
10	O-ring *	EPDM 70

* Spare part

Information / restriction of technical rules need to be observed!

Operating instructions can be ordered by phone +49 (0)5207 / 994-0 or fax +49 (0)5207 / 994-158 or -159.

ARI-Valves of EN-JL1040 are not allowed to be operated in systems acc. to TRD 110.

The engineer, designing a system or a plant, is responsible for the selection of the correct valve.

Dimensions

Nominal diameter	(mm)	15	20	25	32	40	50	65	80	100	125	150	200
L / FTF-14 (10./12.072)	(mm)	115	120	125	130	140	150	170	180	190	200	210	230
L / FTF-1 (10./12.073)	(mm)	130	150	160	180	200	230	290	310	350	400	480	600
H2	(mm)	200	200	200	200	240	240	270	320	330	400	480	630
ØA	(mm)	42	42	42	42	60	60	60	87	87	87	87	87
ØC1	(mm)	80	80	80	80	125	125	125	140	140	180	210	180
ØC2	(mm)	91	91	91	91	135	135	135	154	154	224	224	190
Travel	(mm)	20	23	23	23	28	35	40	58	58	70	90	125
Kvs-value (10./12.072: FTF-14)	(m³/h)	9,1	17,4	31,8	32,7	81	84	155	231	312	583	743	1518
Kvs-value (10./12.073: FTF-1)	(m³/h)	8,4	18,6	32	29,4	78	83	151	216	308	532	878	1533
Zeta-value (10./12.072: FTF-14)	--	1,0	0,8	0,6	1,6	0,6	1,4	1,2	1,2	1,6	1,2	1,5	1,1
Zeta-value (10./12.073: FTF-1)	--	1,2	0,8	0,6	1,6	0,7	1,5	1,3	1,4	1,7	1,4	1,0	1,1

Zeta-value ... range of tolerance for Kvs-values acc. to VDI/VDE 2173

Standard-flange dimensions refer to page 6

Face-to-face dimension FTF series 14 acc. to DIN EN 558

Weights

Nominal diameter	(mm)	15	20	25	32	40	50	65	80	100	125	150	200
10.072	(kg)	2,5	3,3	3,6	4,3	6,6	7	10,2	14,9	21	29	33,2	65
12.072	(kg)	3,4	3,8	4,3	5,4	7,6	9,1	12,8	16,5	24,5	28,6	38,3	74
10.073	(kg)	3	3,4	4,6	4,7	7	8,3	12,1	16	25	31	43	95
12.073	(kg)	3,5	3,9	4,5	5,6	8	9,8	13	18,3	28,6	34,8	48,8	105

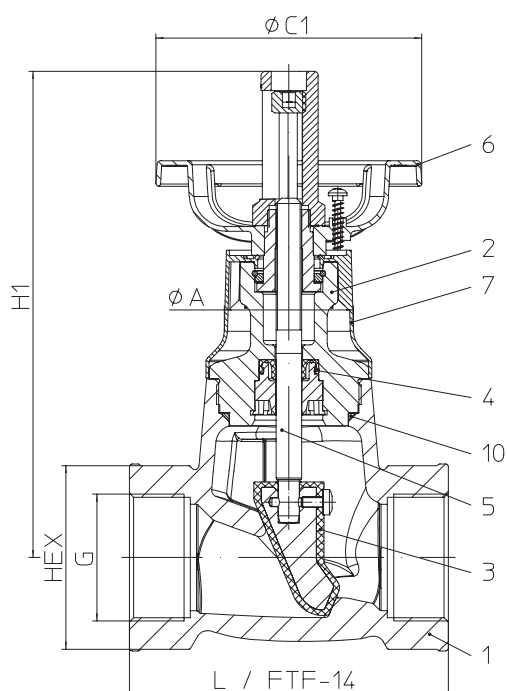
Stop valve - straight through with screwed socket connection and soft seal - Face-to-face length FTF-14 (Grey cast iron)


Figure	Nominal pressure	Material	Nominal diameter	Face-to-face dimension
12.076	PN16	EN-JL1040	DN15-50 G 1/2 - 2	FTF-14

EPDM-plug; unsuitable for media containing mineral oil !

Operating temperature: -10°C to +120°C (for a short time up to +130°C)

Selection of possible applications

Heating facilities, AIR conditioning facilities
(other applications on request)

Selection of possible flow media

Water, water with cold-protection, etc.
(other flow media on request)

Parts

Pos.	Description	Fig. 12.076
1	Body	EN-JL1040, EN-GJL-250
2	Bonnet	EN-JL1040, EN-GJL-250
3	Plug *	EN-JL1040, EN-GJL-250 / EPDM
4	Sealing ring	EPDM 70
5	Stem	X20Cr13+QT, 1.4021+QT
6	Handwheel	PA 6
7	Insulating cap	PA 6.6 (eroded acc. to VDI 3400/39)
10	O-ring *	EPDM 70

* Spare part

Information / restriction of technical rules need to be observed!

Operating instructions can be ordered by phone +49 (0)5207 / 994-0 or fax +49 (0)5207 / 994-158 or -159.

ARI-Valves of EN-JL1040 are not allowed to be operated in systems acc. to TRD 110.

The engineer, designing a system or a plant, is responsible for the selection of the correct valve.

Dimensions

Nominal diameter	(mm)	15	20	25	32	40	50
	(inch)	1/2	3/4	1	1 1/4	1 1/2	2
L	(mm)	115	120	125	130	140	150
G	(inch)	1/2	3/4	1	1 1/4	1 1/2	2
H1	(mm)	190	190	190	190	230	230
HEX	(mm)	32 (6kt)	41 (6kt)	46 (6kt)	55 (8kt)	65 (8kt)	75 (8kt)
ØA	(mm)	42	42	42	42	60	60
ØC1	(mm)	80	80	80	80	125	125
Travel	(mm)	20	23	23	23	28	35
Kvs-value	(m³/h)	9,1	17,4	31,8	32,7	81	84
Zeta-value	--	1,0	0,8	0,6	1,6	0,6	1,4

Zeta-value ... range of tolerance for Kvs-values acc. to VDI/VDE 2173

Face-to-face dimension FTF series 14 acc. to DIN EN 558

Screwed sockets according to DIN ISO 228-1

Weights

Nominal diameter	(mm)	15	20	25	32	40	50
	(inch)	1/2	3/4	1	1 1/4	1 1/2	2
12.076	(kg)	1,9	2,1	2,2	2,5	4,1	4,8

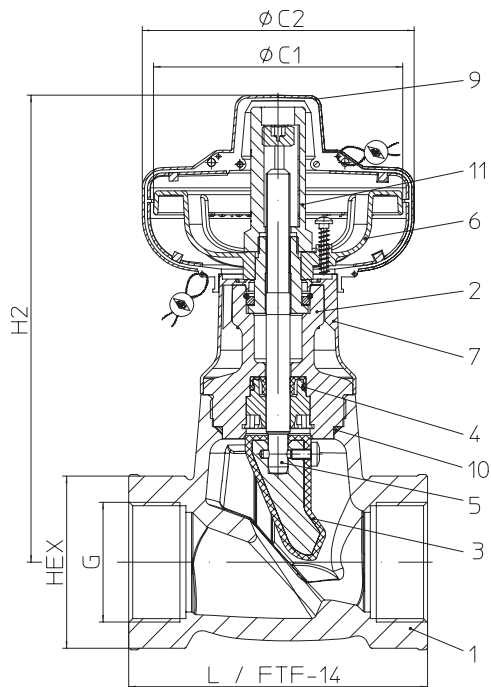
Stop valve - straight through with screwed socket connection and soft seal - as hood valve - Face-to-face length FTF-14 (Grey cast iron)


Figure	Nominal pressure	Material	Nominal diameter	Face-to-face dimension
12.078	PN16	EN-JL1040	DN15-50 G 1/2 - 2	FTF-14

EURO-WEDI-Hood valve gegen unbeabsichtigtes Schließen gemäß DIN EN 12828.

EPDM-plug; unsuitable for media containing mineral oil !

Operating temperature: -10°C to +120°C (for a short time up to +130°C)

Selection of possible applications

Heating facilities, AIR conditioning facilities
(other applications on request)

Selection of possible flow media

Water, water with cold-protection, etc.
(other flow media on request)

Parts

Pos.	Description	Fig. 12.078
1	Body	EN-JL1040, EN-GJL-250
2	Bonnet	EN-JL1040, EN-GJL-250
3	Plug *	EN-JL1040, EN-GJL-250 / EPDM
4	Sealing ring	EPDM 70
5	Stem	X20Cr13+QT, 1.4021+QT
6	Handwheel	PA 6
7	Insulating cap	PA 6.6 (eroded acc. to VDI 3400/39)
9	Guard cap	PP
10	O-ring *	EPDM 70

* Spare part

Information / restriction of technical rules need to be observed!

Operating instructions can be ordered by phone +49 (0)5207 / 994-0 or fax +49 (0)5207 / 994-158 or -159.

ARI-Valves of EN-JL1040 are not allowed to be operated in systems acc. to TRD 110.

The engineer, designing a system or a plant, is responsible for the selection of the correct valve.

Dimensions

Nominal diameter	(mm)	15	20	25	32	40	50
	(inch)	1/2	3/4	1	1 1/4	1 1/2	2
L	(mm)	115	120	125	130	140	150
G	(inch)	1/2	3/4	1	1 1/4	1 1/2	2
H2	(mm)	200	200	200	200	240	230
HEX	(mm)	32 (6kt)	41 (6kt)	46 (6kt)	55 (8kt)	65 (8kt)	75 (8kt)
ØA	(mm)	42	42	42	42	60	60
ØC1	(mm)	80	80	80	80	125	125
ØC2	(mm)	91	91	91	91	135	135
Travel	(mm)	20	23	23	23	28	26
Kvs-value	(m³/h)	9,1	17,4	31,8	32,7	81	84
Zeta-value	--	1,0	0,8	0,6	1,6	0,6	1,4

Zeta-value ... range of tolerance for Kvs-values acc. to VDI/VE 2173

Face-to-face dimension FTF series 14 acc. to DIN EN 558

Screwed sockets according to DIN ISO 228-1

Weights

Nominal diameter	(mm)	15	20	25	32	40	50
	(inch)	1/2	3/4	1	1 1/4	1 1/2	2
12.078	(kg)	1,9	2,1	2,2	2,5	4,1	4,8

Standard-flange dimensions

Flanges acc. to DIN EN 1092-2 (Flangeholes / -thickness tolerances acc. to DIN 2531/2533)

DN		(mm)	15	20	25	32	40	50	65	80	100	125	150	200
PN6	ØD	(mm)	80	90	100	120	130	140	160	190	210	240	265	320
PN6	ØK	(mm)	55	65	75	90	100	110	130	150	170	200	225	280
PN6	n x Ød	(mm)	4x11	4x11	4x11	4x14	4x14	4x14	4x14	4x18	4x18	8x18	8x18	8x18
PN16	ØD	(mm)	95	105	115	140	150	165	185	200	220	250	285	340
PN16	ØK	(mm)	65	75	85	100	110	125	145	160	180	210	240	295
PN16	n x Ød	(mm)	4x14	4x14	4x14	4x18	4x18	4x18	4x18	8x18	8x18	8x18	8x22	12x22

Pressure-temperature-ratings acc. to DIN EN 1092-2

Material			-10°C to 120°C	120°C	130°C
EN-JL1040	6	(bar)	6	6	5,8
EN-JL1040	16	(bar)	16	16	15,5

Please indicate when ordering

- Figure-No.
- Nominal pressure
- Nominal diameter

Example:

Figure 12.070, FTF-14, Nominal pressure PN16, Nominal diameter DN100

Please indicate in your order, if the valves are to be installed in hazardous areas (ATEX)

Dimensions in mm
Weights in kg
1 bar $\hat{=}$ 10 ⁵ Pa $\hat{=}$ 0,1 MPa
Kvs in m ³ /h



Technology for the Future.
GERMAN QUALITY VALVES

ARI-Armaturen Albert Richter GmbH & Co. KG, D-33756 Schloß Holte-Stukenbrock,
Tel. +49 52 07 / 994-0, Telefax +49 52 07 / 994-158 or 159 Internet: <http://www.ari-armaturen.com> E-mail: info.vertrieb@ari-armaturen.com