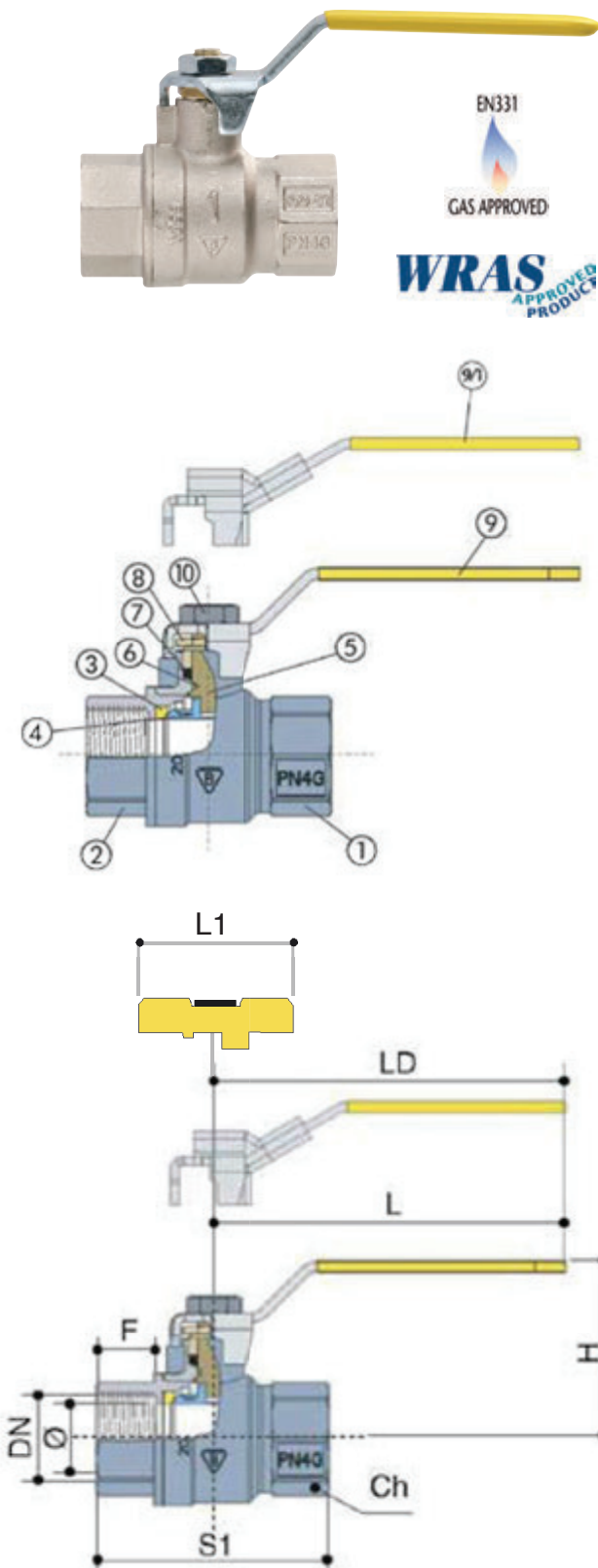


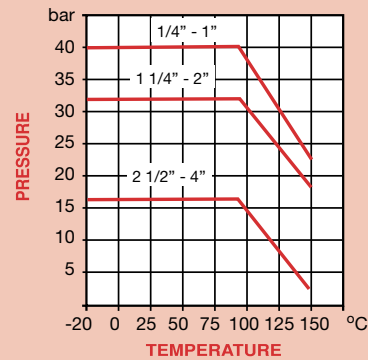
## PN40 Brass Ball Valve

### Features

- Screwed BSP Parallel
- PTFE seats & seals
- Anti Blow Out Stem
- Full Bore
- Locking Handle & Tee Handle options available



### Pressure / Temperature



DN	1/4"	3/8"	1/2"	3/4"	1"	1 1/4"	1 1/2"	2"	2 1/2"	3"	4"
Ø	10	10	15	20	25	32	40	50	61	74	95
F	10	10	15	16	19	21	21	26	20	24	27
S1	45	45	63	71	83	92	104	124	130	150	178
H	41	41	54	58	66	71	80	88	120	127	135
L	80	80	90	90	125	125	140	140	240	240	250
L1	52	52	62	62	72						
LD	95	95	120	120	150	150	160	160			
Ch	21	21	26	31	38	48	55	68	84	96	123
Kgs	0.14	0.14	0.26	0.37	0.57	0.84	1.46	2.09	2.98	3.91	6.97

N.	Part Name	Materials
1	Body	Brass/Nickel plated
2	Body End	Brass/Nickel plated
3	Seat	PTFE
4	Ball	Brass/Nickel plated
5	Stem	Brass
6	'O' Rings	FP
7	Stem Seat	PTFE
8	Packing Nut	Brass
9	Handle	Steel/PVC-Plastic Coated
9/1	Lockable Handle	Steel/PVC-Plastic Coated
10	Nut	Steel/Zinc Plated

1/4" - 2" Details only - 2" 1/2" - 4" Details on Request

### Technical Data

Max Pressure 1/4"-1" 40 bar 1 1/4"-2" 32 bar  
2 1/2"-4" 16 bar

Working Temperature 1/4"-2" -20°C to +150°C  
2 1/2"-4" -10°C to +110°C

Dimensions in mm

This data sheet is designed as a guide and should not be regarded as wholly accurate in every detail. We reserve the right to amend the specification of any product without notice.