

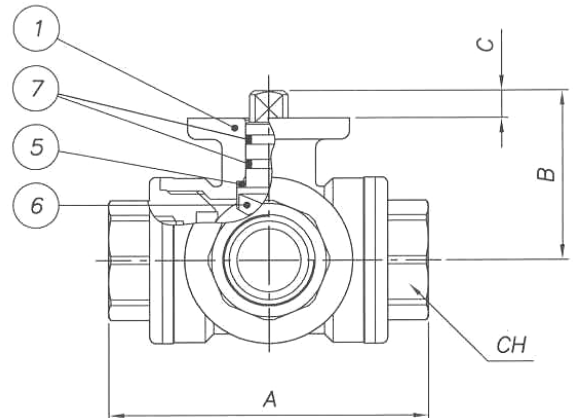
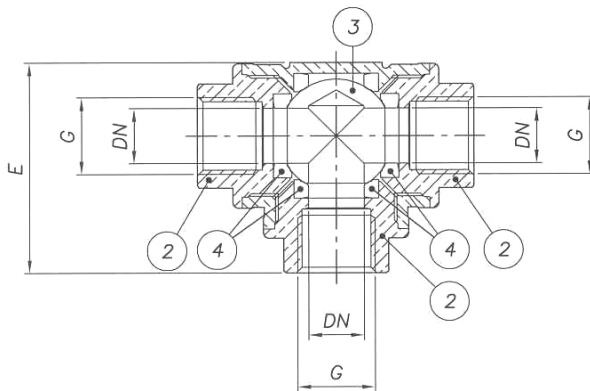
ALBION 87-88

PN32 Brass 3 Way Ball Valve

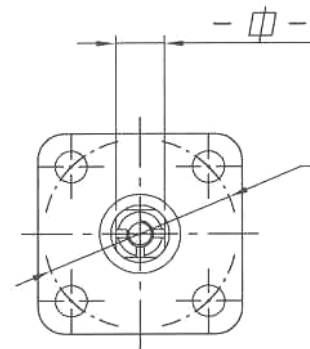


FEATURES:

- Screwed BSP Parallel
- ISO Top Direct Mount
- PTFE Seals
- Temp -20°C to 150°C

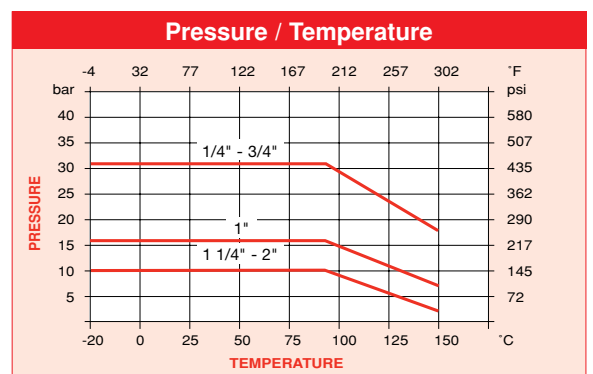


N.	Part Name	Materials
1	Body	Brass CW 617N
2	End Connection	Brass CW 617N
3	Ball	Brass CW 617N Chrome Plated
4	Ball Seats	PTFE
5	Stem Seal	PTFE
6	Stem	Brass CW614N
7	O-Ring Stem	Viton



DN	1/4"	3/8"	1/2"	3/4"	1"	1 1/4"	1 1/2"	2"
A	75	75	75	85	103	114	130	160
B	40	40	40	54	60	69	90	101
C	7	7	7	11	11	11	15	15
E	59	59	59	67	81	96	108	135
CH	27	27	27	32	40	50	55	69
	9	9	9	11	11	11	14	14
∅	36	36	36	50	50	50	70	70
Torque	7	8	10	17	19	21	30	33
Kgs	0.69	0.73	0.82	1.04	1.74	2.70	4.32	8.37

Technical Data	1/4"-3/4"	1"	1 1/4" - 2"
Max Pressure:	32 Bar	16 Bar	10 Bar
Working Temperature	-10°C to +150°C	-10°C to +150°C	-10°C to +150°C



Dimensions in mm

Torque calculated at 16 bar water includes 25% safety add 25% for dry duty