

Kingdom BALL VALVES **MULTI-WAY BALL VALVES**



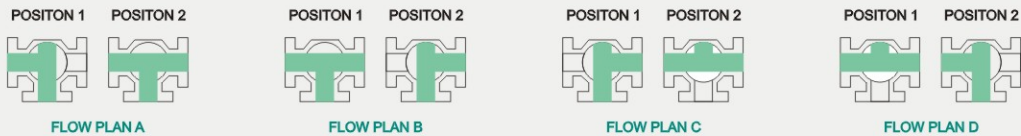
- Blow-out Proof and Anti-static Stem
- Pre-load 2 Belleville Washers to Self-adjust Packing
- Double Stem Sealing Design Has Been Approved for TA-Luft
- Casting Approved by TÜV AD-2000 Merkblatt W0



SERIES KV-L50, KV-L5N

FLOW PATTERNS FOR 3 & 4-WAY VALVE

T-PORT 90° TURN



T-PORT 180° TURN



Optional Plans Available
Using T, Land Standard Ball
Consult Factory

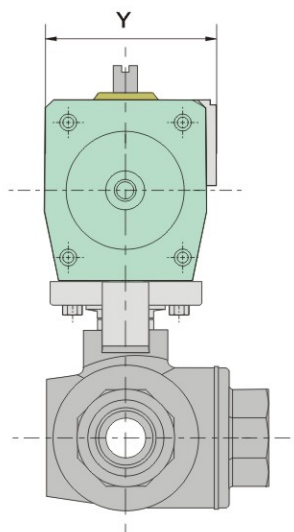
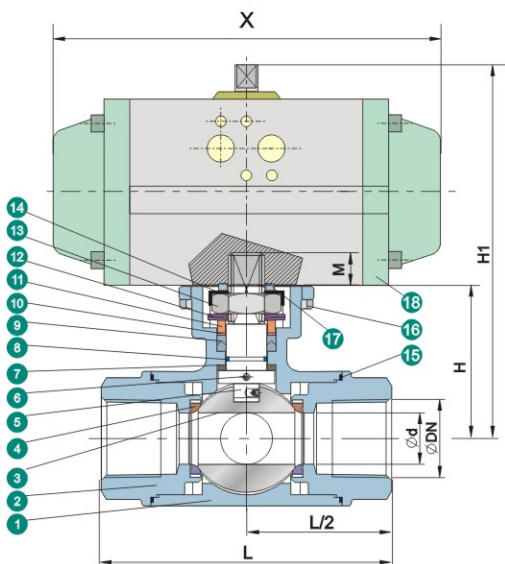
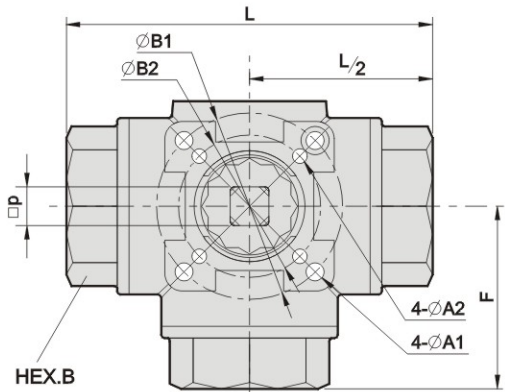
FEATURES:

- Investment Castings for Body and End Caps
- Various Thread Standards are Available
- Built-in ISO 5211 Direct Mounting Pad for Easy Automation
- Anti-Static Devices for Ball-Stem-Body
- Blow-out Proof Stem
- **TA-LUFT** Design Approved
- Positive Position Location At 90° Increments
- Locking in Every 90° Increments
- KV-L50: L-Port; KV-L51: T-Port
- Options: 1. Actuator 2. Limit Switch 3. Positioner

APPLICABLE STANDARDS:

- Design: ASME B16.34, API 608
- Wall Thickness: ASME B16.34 Class 400
- Pipe Thread: ASME B1.20.1, BS21
DIN 2999 / 259, ISO 228 / 1
JIS B 0203, ISO 7 / 1
- Inspection & Testing: API 598, EN 12266

NO.	PART NAME	MATERIALS		
1	Body	CF8M	CF8	WCB
2	End Cap	CF8M	CF8	WCB
3	Ball	CF8M	CF8	
4	Ball Seat	TFM1600 / PTFE / RTFE		
5	Stem	SUS 316	SUS 304	
6	Anti-static Device	SUS 316	SUS 304	
7	Thrust Washer	TFM1600 / PTFE / RTFE		
8	O-ring	FKM (VITON)		
9	Stem Packing	PTFE		
10	Bushing	50%SS + 50%PTFE		
11	Gland	SUS 316		
12	Belleville Washer	SUS 301		
13	Stem Nut	A194-8		
14	Stop-lock-cap	SUS 304		
15	Body Gasket	PTFE		
16	Hex Bolting	A193-B8		
17	Actuator	Pneumatic KP / Electric KQ		



Unit: mm

SIZE	φd	L	H	H1	M	F	φB1	φB2	φA1	φA2	P	HEX.B	X	Y	ISO 5211	P-Actuator	E-Actuator	Pressure
1/4"	11	79	42.0	139.0	9	39.5	42	36	6	6	9	27	144	72	F03-F04	KP50	KQ006	80PSI
3/8"	11	79	42.0	139.0	9	39.5	42	36	6	6	9	27	144	72	F03-F04	KP50	KQ006	80PSI
1/2"	11	79	42.0	139.0	9	39.5	42	36	6	6	9	27	144	72	F03-F04	KP50	KQ006	80PSI
3/4"	15	88	49.0	146.0	9	44.0	50	36	7	6	9	34	144	72	F03-F05	KP50	KQ006	80PSI
1"	20	108	59.5	187.5	11	54.0	50	42	7	6	11	41	208	96	F04-F05	KP75	KQ006	80PSI
1-1/4"	25	124	63.0	191.0	11	62.0	70	42	9	6	11	50	208	96	F04-F07	KP75	KQ006	80PSI
1-1/2"	32	135	73.5	215.5	14	67.5	70	50	9	7	14	56	247	108	F05-F07	KP88	KQ008	80PSI
2"	40	164	82.8	225.0	14	82.0	70	50	9	7	14	70	247	108	F05-F07	KP88	KQ008	80PSI