

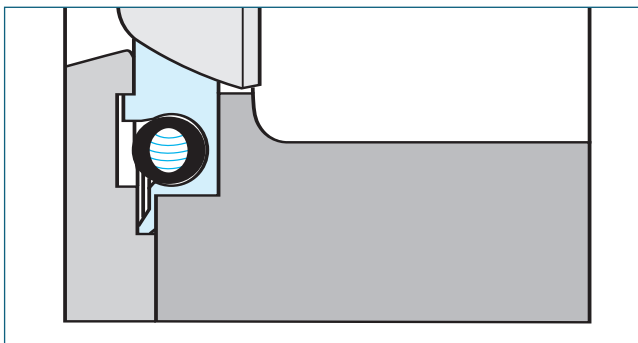
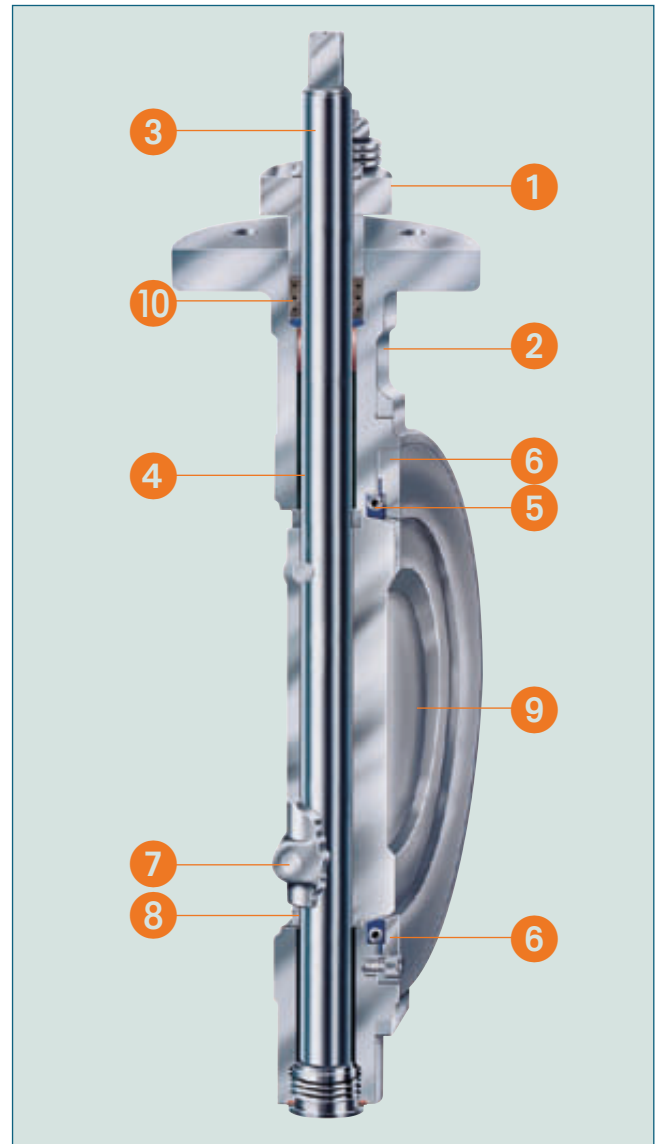
QUALITY FEATURES

HIGH PERFORMANCE VALVES

SUMMARY OF THE PRODUCT ADVANTAGES

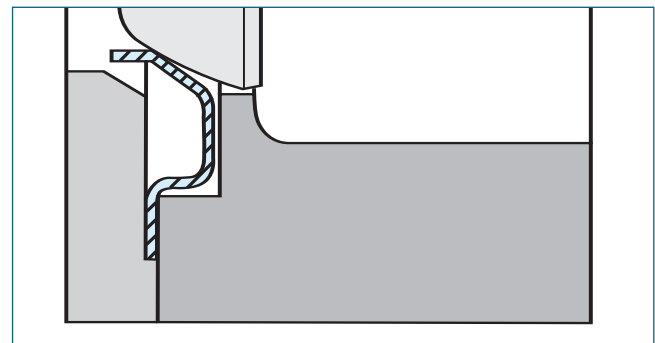
The double-eccentric construction offers advantages in applications with high pressure and temperature loads.

- 1 Top flange conforms to EN/ISO 5211
- 2 Monobloc body with overrunning safety device.
- 3 Straight-through shaft for maximum flexural rigidity.
- 4 The shaft is carried in maintenance-free, excess-length, corrosion-proof and temperature-stable PTFE bearings. This ensures exact positioning of the valve disc.
- 5 Spring-supported PTFE seat ring guarantees absolute tightness and compensates for wear. Replacement of the seat ring without dismantling shaft and valve disc.
- 6 Clamping ring protects seat ring from abrasion and erosion.
- 7 Fit and proper connection between disc and shaft by means of tangentially arranged taper pins.
- 8 Hardened bearing rings for exact centering of the valve disc.
- 9 Valve disc located in double-eccentric bearings results in low torque and reduces wear. All sealing surfaces are mechanically microfinished.
- 10 Self-readjusting shaft seal.



R-PTFE SEAT

The elasticity of the seat ring guarantees sealing according to DIN 3230-BO, Part 3, Leakage Rate 1 (tight): Leak test with air. The constant test pressure corresponds to the permissible working pressure at 20 °C, not exceeding 6 bar. The number of appearing bubbles must be in accordance with the DIN standard.



INCONEL

The seat ring made of Inconel and is extremely temperature-stable. Tightness according to DIN 3230-BN, Part 3, Leakage Rate 1 (tight): Testing conditions corresponding to DIN 3230-BO, Part 3, Leakage Rate 1, but test media water.