

**DESIGN**

Body	Double Flanged type
End Connection	EN 1092 PN 6, 10 and 16 ASME B16.5 cl. 150 / B16.47 cl. 150 MSS SP 44 cl. 150 AWWA C207 cl. B, D and E BS 10 table D and E
Face to Face	EN558-1/2 Series 13 ISO 5752 Series 13
Body Seat	Non replaceable Lining bonded to the body
Shaft Seal Design	O-ring bush
Driving Shaft	With indication for position of the disc
Special Design Options	-

**TESTING PROCEDURES**

Shell strength test	EN 12266-1, P10 ISO 5208 API 598
Shell tightness test	EN 12266-1, P11 ISO 5208 API 598
Seat tightness test	EN 12266-1, P12, Rate A ISO 5208, Rate A API 598
Operability test	EN 12266-2, F20 ISO 5208 API 598

**OPTIONS**

Anti-Static Design	In accordance with EN 736/3 and API 609
--------------------	---

**FUNCTIONAL CHARACTERISTICS**

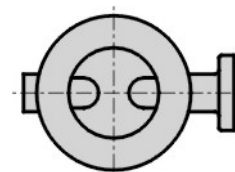
Application	On/off, regulating, control valve
Design pressure PS	Maximum 16 bar
Design temp. TS	-20°C (-4°F) to +200° (392°F)
Flow velocity	Max. 5 m/s for liquids, max. 50 m/s for gases
Seat tightness rate	Bi-directional - ISO 5208 rate A

**MARKING & CERTIFICATION**

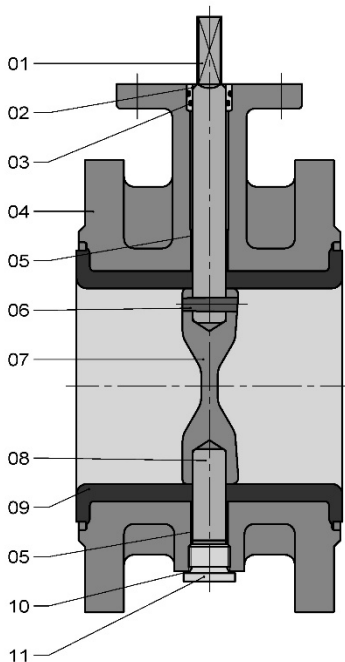
Marking	EN 19, MSS SP 25
Certification	EN 10204 - 2.2, 3.1, 3.2

**PRODUCT DATA**

General Description	BUTTERFLY VALVE - Centric rubber lined
Design Code	EN 593
Size Range	DN 50 - 1400, NPS 2" - 56"
Maximum Pressure	10/16 bar - optional 20 bar for ≤ DN 600

**PREFERRED POSITION WHEN INSTALLED IN HORIZONTAL PIPELINE**

**PARTS LIST - EVFS 50-350 (2"-14")**

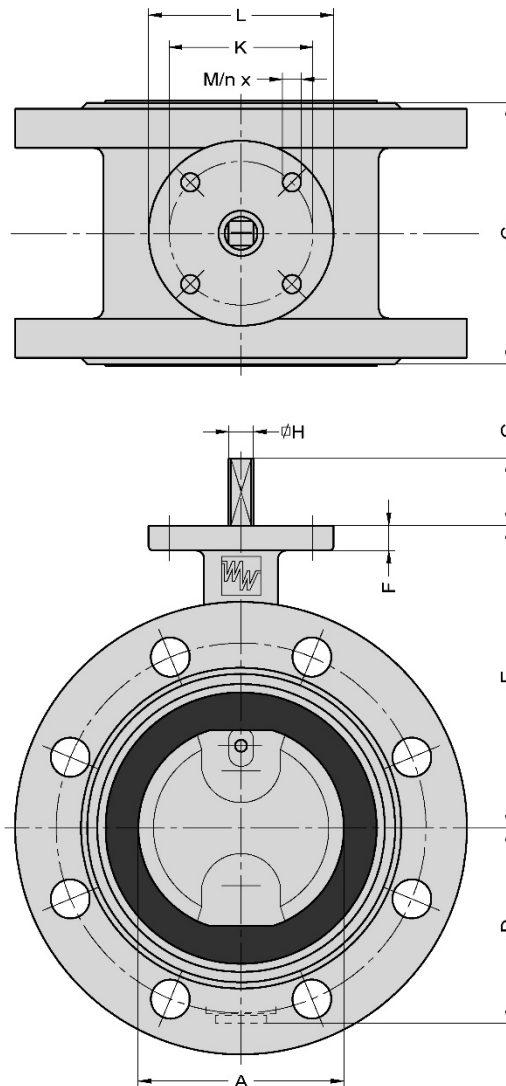


Item	Description	Material <sup>(1)</sup>	EN/DIN	Comparable ASTM
01	Shaft	Duplex SS Martensitic SS Aluminium Bronze Monel K500* Hastelloy-C*	1.4462, EN 10088 1.4057, EN 10088 CuAl10Ni5Fe4, EN 12163 NA 18, BS 3076 -	A 182, Grade F51 A 276, Grade 431 B 150, C63000 - B 547, N10276
02	Bush	Bronze		
03	O-ring	EPDM NBR FPM		
04	Body	Ductile Iron Ductile Iron (low temp.) Carbon Steel Bronze	5.3106, EN 1563 (JS1030) 5.3103, EN 1563 (JS1049) 1.0619, EN 10213 2.1096.01, DIN 1705	A 395, 60-40-18 - A 216, WCB B 584, C.836.00
05	Bearing	St. / PTFE Lining Bronze / PTFE Lining		
06	Conical pin	See ITEM 01	See ITEM 01	See ITEM 01
07	Disc	Duplex SS Martensitic SS Ductile Iron / Rilsan coated <sup>(2)</sup> Aluminium Bronze Hastelloy-C* CuNi	1.4462, EN 10088 1.4057, EN 10088 5.3106, EN 1563 (JS1030) CC333G, EN 1982 - 2.0835, DIN 17658	A 182, Grade F51 A 276, Grade 431 A 395, 60-40-18 B 148, C95800 A 494, CW-12MW -
08	Shaft	See ITEM 01	See ITEM 01	See ITEM 01
09	Lining	EPDM NBR FPM		
10	Sealing ring	Cu		
11	Plug	St./Zn5C		

<sup>(1)</sup> Other materials on request

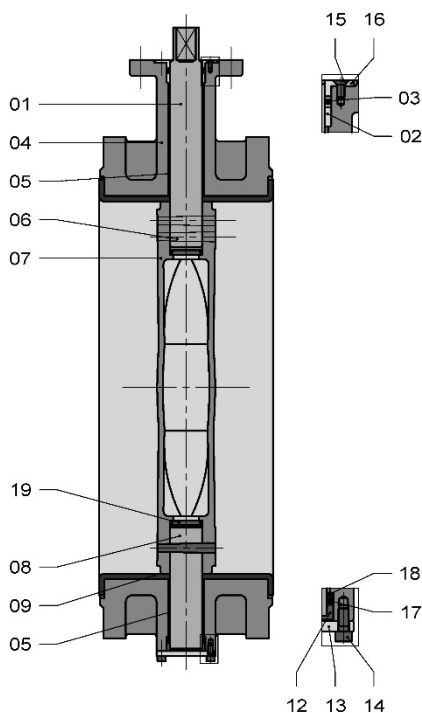
<sup>(2)</sup> For DN 250 and DN 300

**DIMENSIONS - EVFS 50-350 (2"-14")**



DN	NPS	A	C	D	E	F	G	H	ISO 5211	K	L	M	n	MASS ±kg
50	2"	50	108	63	118	12	34	10	F07	70	90	9	4	8
65	2½"	65	112	71	126	12	34	10	F07	70	90	9	4	9
80	3"	80	114	78	133	12	34	10	F07	70	90	9	4	11
100	4"	100	127	98	147	12	34	12	F07	70	90	9	4	13
125	5"	125	140	109	160	12	34	12	F07	70	90	9	4	17
150	6"	150	140	133	180	14	34	16	F07	70	90	9	4	23
200	8"	200	152	158	204	14	34	16	F07	70	90	9	4	32
250	10"	250	165	194	245	15	45	24	F10	102	125	11	4	50
300	12"	300	178	219	270	15	45	24	F10	102	125	11	4	65
350	14"	336	190	236	315	15	45	24	F10	102	125	11	4	95

**PARTS LIST - EVFS 400-1000 (16"-40")**



Item	Description	Material <sup>(1)</sup>	EN/DIN	Comparable ASTM
01	Shaft	Duplex SS Martensitic SS Aluminium Bronze Monel K500* Hastelloy-C*	1.4462, EN 10088 1.4057, EN 10088 CuAl10Ni5Fe4, EN 12163 NA 18, BS 3076 -	A 182, Grade F51 A 276, Grade 431 B 150, C63000 - B 547, N10276
02	Bush	Bronze		
03	O-ring	EPDM NBR FPM		
04	Body	Ductile Iron Ductile Iron (low temp.) Carbon Steel Bronze	5.3106, EN 1563 (JS1030) 5.3103, EN 1563 (JS1049) 1.0619, EN 10213 2.1096.01, DIN 1705	A 395, 60-40-18 - A 216, WCB B 584, C.836.00
05	Bearing	St. / PTFE Lining Bronze / PTFE Lining		
06	Conical pin	See ITEM 01	See ITEM 01	See ITEM 01
07	Disc	Austenitic SS <sup>(2)</sup> Duplex SS <sup>(3)</sup> Martensitic SS <sup>(4)</sup> Ductile Iron / Rilsan coated Aluminium Bronze Hastelloy-C* <sup>(5)</sup> CuNi <sup>(5)</sup>	1.4408, EN 10213 1.4462, EN 10088 1.4057, EN 10088 5.3106, EN 1563 (JS1030) CC333G, EN 1982 - 2.0835, DIN 17658	A 351, CF8M A 182, Grade F51 A 276, Grade 431 A 395, 60-40-18 B 148, C95800 A 494, CW-12MW -
08	Shaft	See ITEM 01	See ITEM 01	See ITEM 01
09	Lining	EPDM NBR FPM		
12	Axial bearing	Bronze		
13	Cover plate	St./Zn5C		
14	Cylinder head screw	St./Zn5C		
15	Counter sunk screw	St./Zn5C		
16	Collar bearing	Bronze		
18	Ring	Bronze		
19	Sealing plate	St./NBR St./FPM		

<sup>(1)</sup> Other materials on request

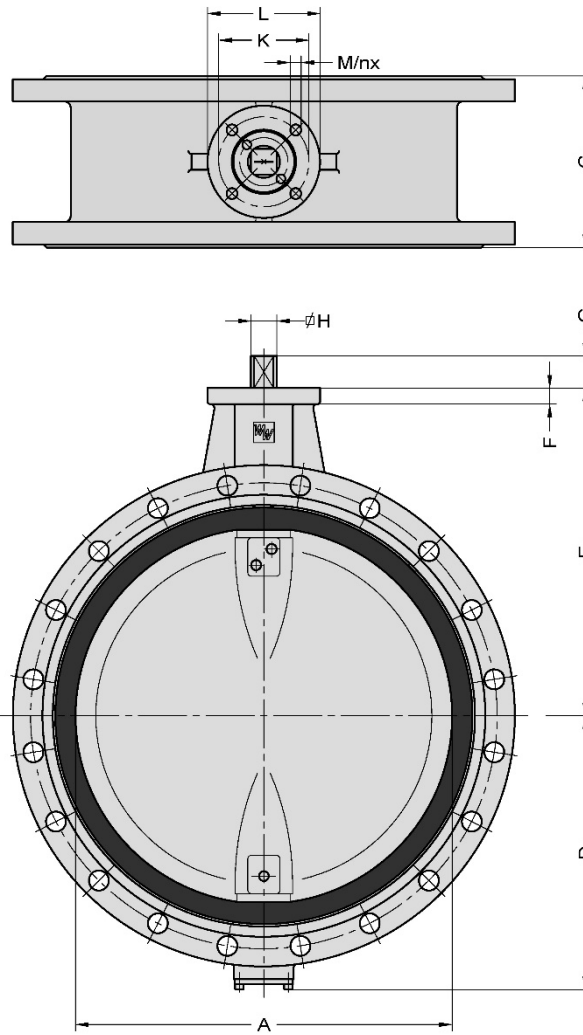
<sup>(2)</sup> for  $\geq$  DN 500

<sup>(3)</sup> forged  $\leq$  DN 450, casted  $\geq$  DN 500, material 1.4517, EN 10213 (ASTM A 351, CD-4MCu)

<sup>(4)</sup> forged  $\leq$  DN 450

<sup>(5)</sup>  $\leq$  DN 500

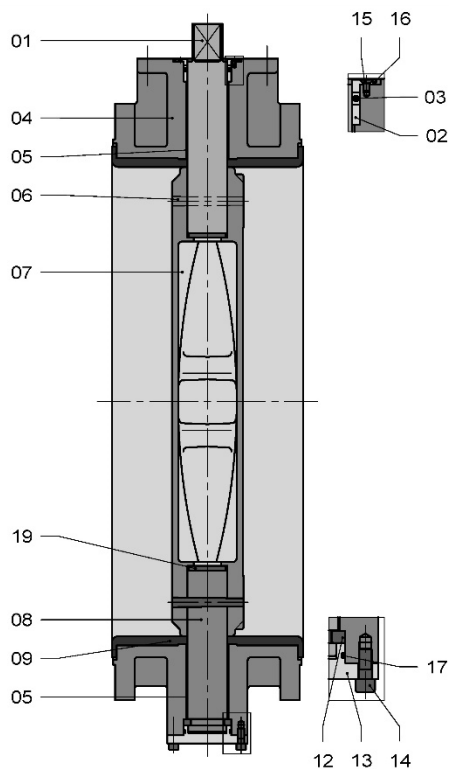
**DIMENSIONS - EVFS 400-1000 (16"-40")**



DN	NPS	A	C	D	E	F	G	H	ISO 5211	K	L	M	n	MASS ±kg
400	16"	386	216	308	363	25	50	30	F14	140	175	17	4	130
450	18"	436	222	334	388	25	50	30	F14	140	175	17	4	150
500	20"	486	229	360	413	25	50	30	F14	140	175	17	4	200
550	22"	536	<sup>(*)</sup> 267	395	485	25	50	40	F14	140	175	17	4	260
600	24"	586	267	426	510	25	50	40	F14	140	175	17	4	300
650	26"	636	<sup>(*)</sup> 292	456	535	25	60	46	F16	165	210	21	4	350
700	28"	686	292	499	560	25	60	46	F16	165	210	21	4	380
750	30"	736	<sup>(*)</sup> 318	524	585	25	60	46	F16	165	210	21	4	440
800	32"	786	318	519	610	25	60	46	F16	165	210	21	4	500
900	36"	886	330	625	690	30	90	60	F25	254	300	17	8	660
1000	40"	986	410	685	740	30	90	60	F25	254	350	17	8	900
1000	40"	986	410	685	740	30	90	60	F30	298	350	21	8	900

<sup>(\*)</sup> Manufacturer's standard

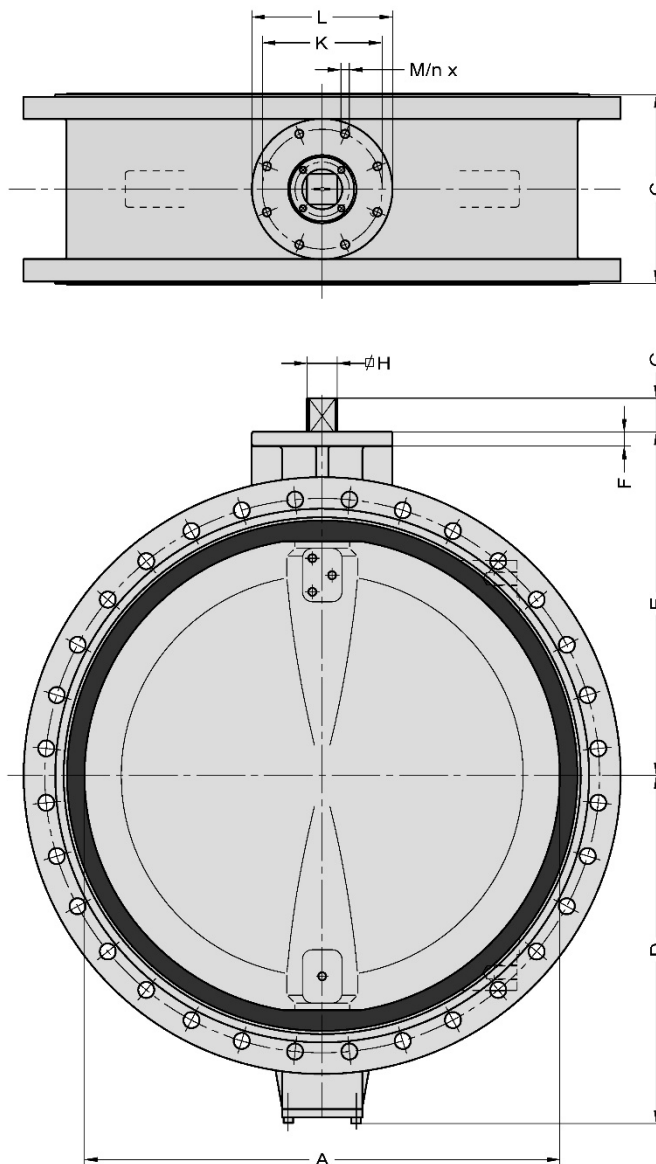
**PARTS LIST - EVFS 1200-2000 (48"-80")**



Item	Description	Material <sup>(1)</sup>	EN/DIN	Comparable ASTM
01	Shaft	Duplex SS Martensitic SS Aluminium Bronze Monel K500* Hastelloy-C*	1.4462, EN 10088 1.4057, EN 10088 CuAl10Ni5Fe4, EN 12163 NA 18, BS 3076 -	A 182, Grade F51 A 276, Grade 431 B 150, C63000 - B 547, N10276
02	Bush	Bronze		
03	O-ring	EPDM NBR FPM		
04	Body	Ductile Iron Ductile Iron (low temp.) Carbon Steel	5.3106, EN 1563 (JS1030) 5.3103, EN 1563 (JS1049) 1.06019, EN 10213	A 395, 60-40-18 - A 216, WCB
05	Bearing	St. / PTFE Lining Bronze / PTFE Lining		
06	Conical pin	See ITEM 01	See ITEM 01	See ITEM 01
07	Disc	Austenitic SS Duplex SS Ductile Iron / Rilsan coated Aluminium Bronze	1.4408, EN 10213 1.4517, EN 10213 5.3106, EN 1563 (JS1030) CC333G, EN 1982	A 351, CF8M A 351, CD-4MCu A 395, 60-40-18 B 148, C95800
08	Shaft	See ITEM 01	See ITEM 01	See ITEM 01
09	Lining	EPDM NBR FPM		
12	Axial bearing	Bronze		
13	Cover plate	St./Zn5C		
14	Cylinder head screw	St./Zn5C		
15	Counter sunk screw	St./Zn5C		
16	Flanged bush	Bronze		
17	O-ring	EPDM NBR FPM		
19	Sealing plate	St./NBR St./FPM		

<sup>(1)</sup> Other materials on request

**DIMENSIONS - EVFS 1200-2000 (48"-80")**



DN	NPS	A	C	D	E	F	G	H	ISO 5211	K	L	M	n	MASS ±kg
1200	48"	1186	470	870	855	35	85	75	F30	298	415	21	8	1500
1200	48"	1186	470	870	855	35	85	75	F35	356	415	31	8	1500
1400	56"	1386	530	966	955	35	85	75	F35	356	415	31	8	1900
1400	56"	1386	530	966	955	35	100	90	F35	356	415	31	8	1900
1500	60"	1484	<sup>(1)</sup> 600	1045	1012	50	100	90	F35	356	475	31	8	2100
1500	60"	1484	<sup>(1)</sup> 600	1045	1012	50	120	105	F40	406	475	37	8	2100
1600	64"	1586	600	1086	1079	50	100	90	F35	356	475	31	8	2500
1600	64"	1586	600	1086	1079	50	120	105	F40	406	475	37	8	2500
1800	72"	1776	670	1192	1176	50	100	90	F35	356	475	31	8	3500
1800	72"	1776	670	1192	1176	50	120	105	F40	406	475	37	8	3500
2000	80"	1976	760	1291	1276	50	120	105	F35	356	475	31	8	4000
2000	80"	1976	760	1291	1276	50	140	120	F40	406	475	37	8	4000

<sup>(1)</sup> Manufacturer's standard