

Fig. 48
Bronze - Oblique Swing Pattern



FEATURES & BENEFITS

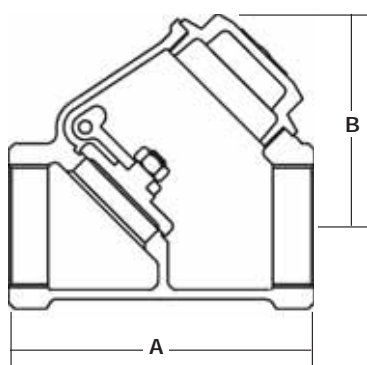
- Oblique swing pattern
- Robust and high quality bronze body
- Metal to metal seat for enhance sealing

MATERIAL SPECIFICATION

Component	Material	Specification BS EN	
Cap	Bronze	1982 CC491K	B62 C83600
Hinge Pin	Brass	12164 CW603N	B16-C36000
Hinge	Bronze	1982 CC491K	B62 C83600
Hinge Pin Plug	Brass	12164 CW617N	B124 Alloy 2
Disc	Bronze	1982 CC491K	B62 C83600
Disc Nut	Brass	12164 CW603N	B16-C36000
Body	Bronze	1982 CC491K	B62 C83600



DIMENSIONAL DRAWING



DIMENSIONS & WEIGHTS

Nom Size	in	1/2	3/4	1	1 1/4	1 1/2	2
A	mm	60	70	86.4	96	116	136
B	mm	45	50	58	68	75	94
Weight	kg	0.28	0.42	0.62	1.0	1.4	2.1

PRESSURE/
TEMPERATURE RATING

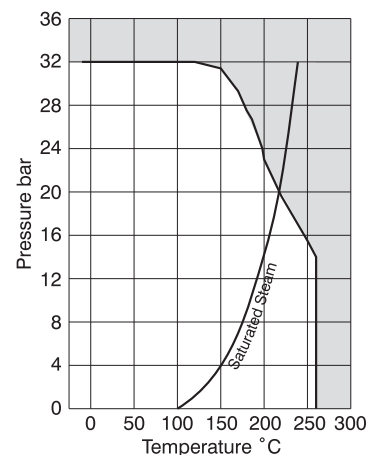
BS5154 PN32 Series A
14 bar at 260°C
32 bar from -10 to 120°C

TEST PRESSURES

Shell: 48 bar
Seat: 35.2 bar

SPECIFICATION

Oblique swing pattern.
Threaded cover.
Metal to metal seat.
Ends threaded internal
BS EN 10266 (ISO 7).
Suitable for mounting in horizontal
and vertical pipe (with vertical
flow upwards).



Every effort has been made to ensure that the information contained in this publication is accurate at the time of publishing. Hattersley Ltd assumes no responsibility or liability for typographical errors or omissions or for any misinterpretation of the information within the publication and reserves the right to change without notice.