

Subject to change without notice

VALVE AUTOMATION SYSTEMS

ELCO-MATIC<sup>®</sup> INTERNATIONAL

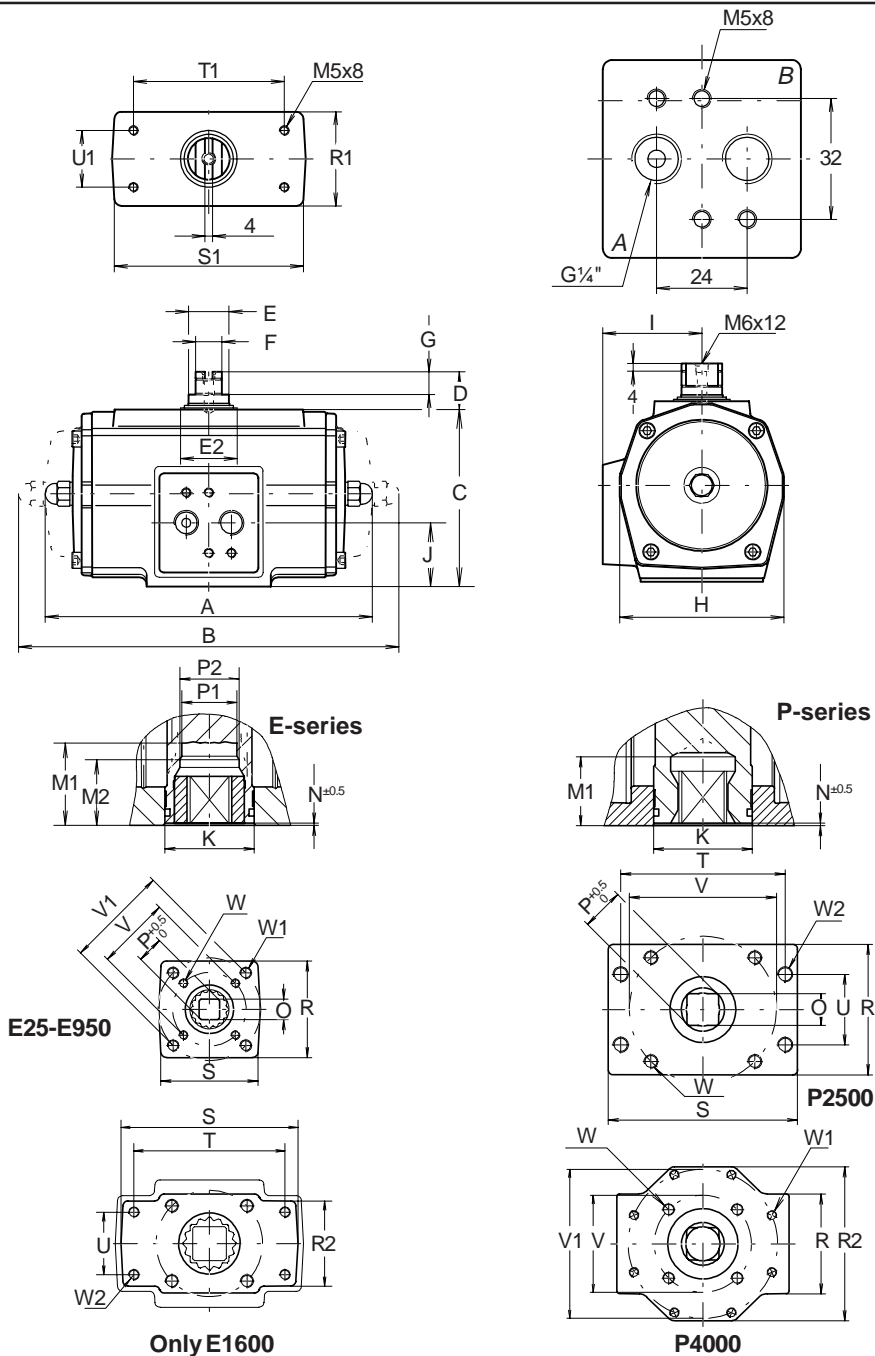
Nr.:

1.103.106

All rights reserved

Date:

Febr. '99



Dim. in mm.	Actuators E-series										P-series	
	E 12	E 25	E 40	E 65	E100	E200	E 350	E600	E950	E1600	P2500	P4000
A DA	159	180	199	221	283	305	387	424	516	516	378	502
B SR	172	204	249	267	360	387	477	517	637	637	570	834
C	80	93	105	118	143	181	220	259	297	297	356	380
D	20	20	20	20	20	20	30	30	30	30	30	30
E	16	22	22	22	36	36	55	55	64	64	55	64
E2	23	30	30	30	45	45	65	65	75	75	65	80
F	10	14	14	14	19	19	36	36	36	36	36	36
G	12	12	12	12	12	12	10	10	10	10	10	10
H	74	86	98	108	128	173	207	231	265	265	350	380
I	46	53	58	63	73	95	113	126	142	142	183	200
J	32	34	40	45	51	73	84.5	105.5	120.5	120.5	178	190
K	24	33	33	38	55	55	68	75	95	95	85	120
M1	34.5	34.5	34.5	34.5	50	50	52	64	82	82	66	77
M2	-	-	-	27	37	37	-	-	-	-	-	-
N	1	1	1	1.5	1.5	1.5	1.5	1.5	1.5	1.5	3	1.5
O max.	11.11	14.11	14.11	19.13	22.13	27.13	27.13	36.16	46.16	46.16	46.16	55.19
O min.	11.00	14.00	14.00	19.00	22.00	27.00	27.00	36.00	46.00	46.00	46.00	55.00
P	14.1	18.1	18.1	25.2	28.2	36.2	36.2	48.2	60.2	60.2	60.2	72.2
P1	14.1	18.1	21.1	23.1	32.1	32.1	36.5	48.5	60.5	60.5	-	-
P2	-	-	-	25.2	36.2	36.2	-	-	-	-	-	-
R	52	65	70	70	90	114	124	130	154	154	170	170
R1	50	50	50	60	60	60	90	90	125	125	160	160
R2	-	-	-	-	-	-	-	-	132	132	-	262
S	52	65	70	70	90	114	124	142	280	280	290	290
S1	100	100	100	100	100	100	170	170	210	210	245	245
T	-	-	-	-	-	-	-	-	234.6	234.6	234.6	-
T1	80	80	80	80	80	80	130	130	130	130	130	130
U	-	-	-	-	-	-	-	-	97.2	97.2	97.2	-
U1	30	30	30	30	30	30	30	30	30	30	30	30
V	36	50	50	50	70	70	102	102	165	165	165	165
V1	50	70	70	70	102	102	125	140	-	-	-	254
W	M5x8	M6x10	M6x10	M6x10	M8x13	M8x13	M10x16	M10x16	M20x30	M20x30	M20x30	M20x30
W1	M6x10	M8x13	M8x13	M8x13	M10x16	M10x16	M12x20	M16x25	-	-	-	M16x25
W2	-	-	-	-	-	-	-	-	M16x25	M16x25	M16x25	-

For E12 dimensions see data sheet 1.103.102

- Note:**
1. Flange and square drive to ISO 5211
  2. Top and solenoid flange to VDI/VDE 3845 (NAMUR)
  3. For P-series actuators with limit stops see 1.501.01

DIMENSION SHEET STANDARD ACTUATOR - ISO -

E/P