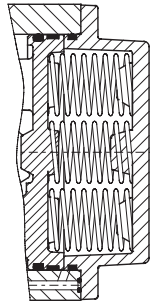
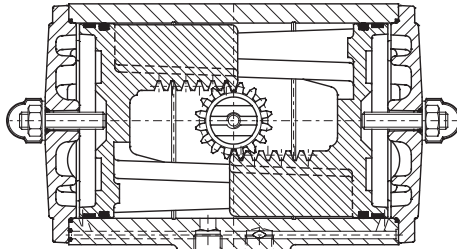


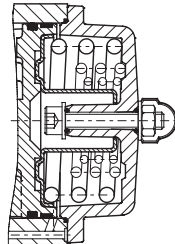
P-Series - Double acting



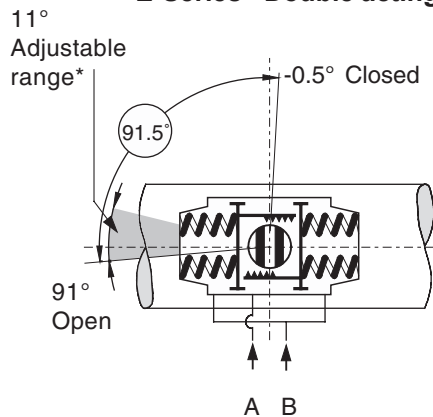
Spring return



E-Series - Double acting



Spring return



* only standard on E-Series actuators

Specification:

- Pressure range : Double acting 0.2 to 8 bar.
- : Spring return 6 to 8 bar, with max. spring set.
- : 3 to 8 bar, reduced spring quantity.
- : 180° actuators 6 bar g maximum
- Torque : 14.6 to 4955 Nm at 6 bar supply. See torque datasheets 1.104.01 and 1.104.02.
- Operating media : Air, dry or lubricated and inert gasses.
- : For sub-zero applications take appropriate measures.
- Temperature : -20° to +80°C
- Lubrication : Factory lubricated for the normal life of the actuator.
- Construction : Suitable for indoor and outdoor installation.
- Finish : Polyester non-TGIC based powder coating (see data sheet 4.204.01)
- Rotation : 91.5° (-0.5° cw to 91° ccw)
- Double acting : Standard counter clockwise with port "A" pressurized (code A, see data sheet 1.503 for other assembly codes).
- Spring return : Clockwise fail action (code A, see data sheet 1.504 for other assembly codes).
- Limit stops : Standard on E-series. Adjustable range 91°/80°
- : Optional on P-series. See datasheet 1.501.01
- : For double stroke adjustment. See datasheet 1.501.05

European Directives

- PED : All actuators are suitable for use with Group 2 gasses according to Pressure Equipement Directive 97/23/EC.
- : Optional : actuators suitable for use with Group 1 gasses.
- ATEX : All basic actuators are suitable for use in hazardous area's classified II 2 GD, zones 1 or 2 (Gasses) and 21 or 22 (Dust).

Note:

1. Operating time is average with actuator under load and solenoid valve fitted.
2. Air consumption is the actual free air volume at 1 atm.
3. Pressure is in bar g.
4. ED/PD = Double acting.
ES/PS/PE = Single acting.

ACTUATOR TYPE		E12	E25	E40	E65	E100	E200	E350	E600	E950	E1600	P2500	P4000	
Bore	mm.	46	56	70	80	91	110	145	175	200	230	300	325	
	Stroke	mm.	12,6	15,7	18,8	22	25,1	37,7	37,7	44	50,3	62,8	56,5	81,7
Weight:	Double acting	kg.	0,61	1,3	1,8	2,4	3,1	5,8	10,4	19,4	26,4	42,7	56,8	86,6
	Spring return	kg.	0,67	1,7	2,4	3,6	4,6	9,1	16,9	27,6	38,6	65,8	88,2	131,8
Operating time		sec.	0,4	0,5	0,7	1,1	1,2	2,3	3,6	4,5	5,4	6,9	7	12
Air consumption at 1 atm (litres)	port A	stroke	0,05	0,1	0,16	0,33	0,35	0,8	1,8	2,9	4,7	7,3	8	13,5
	port B	stroke	0,06	0,11	0,22	0,36	0,49	1	1,9	3,1	4,9	8,0	9,3	17,5