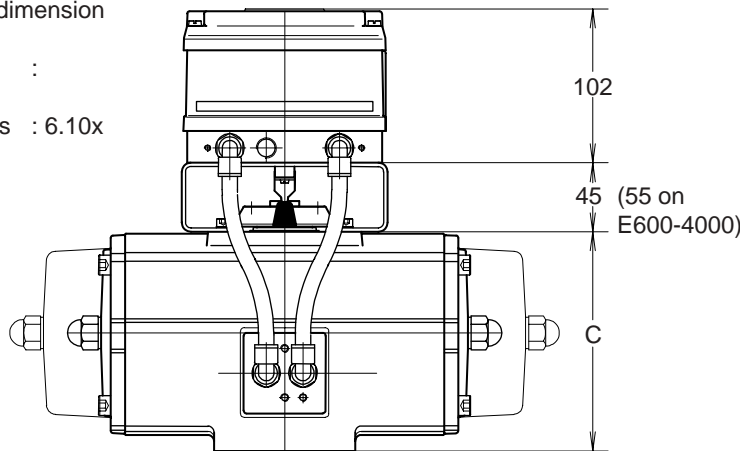


Note:

1. Dimensions are in mm.
2. Other dimensions: please refer to the dimension sheets:
- Actuators : 1.103.xxx
- Positioners : 6.10x



Description

The F20 is a universal Electro- Pneumatic Positioner, suitable for rotary actuators (single or double acting).

The F20 Positioner operates on the principle of analog electronic comparison. An analog 4-20 mA input signal is used to obtain an accurate position of the actuator.

The F20 is a true 2 wire instrument, with the 4-20 mA signal providing both the controlling signal and power supply for the electronics. An electronic module provides all the usual control characteristics: zero, range and sensitivity are all electronically re-setable using trimmers on the control card.

A comprehensive range of modular control options include gauges, switches and position transmitters.

Mounting is to the Industry Standard VDI/VDE 3845 (NAMUR) with the drive coupling spring loaded for zero backlash.

General Specification:

Hysteresis	: 0.6%	Air Entry	: G 1/4"
Linearity	: 1.0%	Air Supply	: 1.4 to 8.6 bar.
Air Flow	: 210 NI/min.(at 6 bar)	Electrical signal	: 2 wire :4 to 20 mA
Air Consumption	: 5 NI/min. (at 6 bar)		: ~ 8 VDC
Min. volume actuator	: 0.1 L	Resistance	: 350 Ohm (at 20 mA)
Temperature	: -20° to +80°C	Electrical entry	: M20 x 1.5 (Option 1/2"NPT)
Mounting	: VDI/VDE 3845	Enclosure	: IP 65

Media

- : Non-lubricated instrument air, filtered at 25 micron.
- : Dew point should be 10°C below environmental temperatur.
- : Air quality class 3-2-3 accord. to ISO 8573-1.

Identification:

F 20 for electro-pneumatic positioner

Materials:

- Housing : Aluminium Alloy
- Finish : Polyester powder coated

Modular Control Options

- G2 : Gauge block, for supply and two output pressures
- PTF20 : Position transmitter - 2 Wire
- S2 : Two Mechanical Switches
- IS2 : Two Inductive Switches - 2 Wire (Intrinsically safe)
- PNP : Two Inductive Switches - 3 Wire
- POT : Potentiometer
- IS : Intrinsically save positioner to II 2 EEx ib IIC T6
TÜV certificate : TÜV 00 ATEX 1565
- LT : Low temperature: -50°C to +80°C.

Dim. in mm.	Actuator type										
	E25	E40	E65	E100	E200	E350	E600	E950	E1600	P2500	P4000
A PD/ED	159	180	199	221	283	305	387	424	516	378	502
B PE/ES	172	204	249	267	360	387	477	517	637	570	834
C	80	93	105	118	143	181	220	259	297	356	380
D	141	141	141	152	172	217	252	277	310	393	425