

Subject to change without notice

VALVE AUTOMATION  
SYSTEMS

www.elo-matic.com  
**ELO-MATIC**

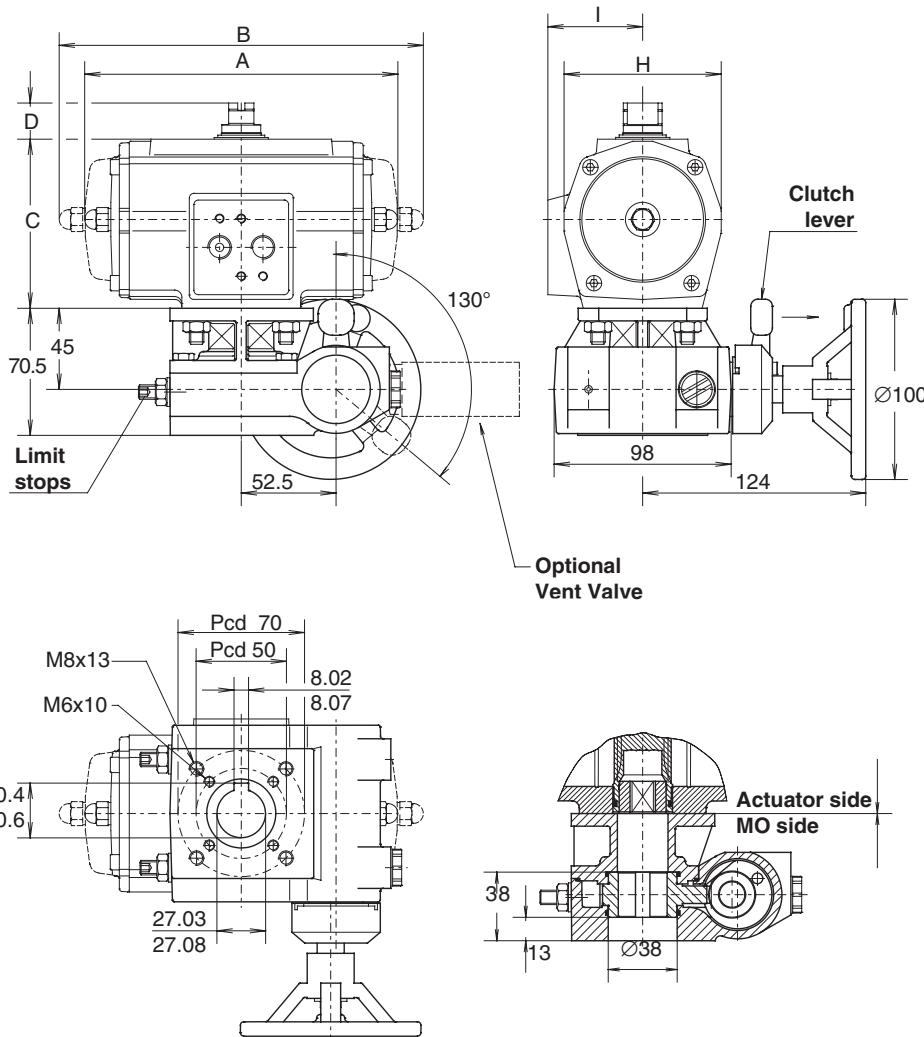
All rights reserved

3.402.1

June '05

Nr.:

Date:



Dimensions in mm.	E25	E40	E65
<b>A ED</b>	159	180	199
<b>B ES</b>	172	204	249
<b>C</b>	80	93	105
<b>D</b>	20	20	20
<b>H</b>	74	86	98
<b>I</b>	46	53	57.5

**Description:**

The El-o-matic MO Series declutchable gear operators offer simple and reliable manual positioning of valves, dampers and other quarter-turn devices when overriding, existing pneumatic or hydraulic rotary actuators. All El-o-matic MO-units are suitable for indoor and outdoor use and combine rugged construction, light weight and modular design to provide the most efficient and cost effective solution to a full range of manual override requirements. The self-locking worm gear design means safe and easy operation, positive manual positioning and extremely long life. The El-o-matic override can be adapted to any quarter-turn actuator and may even be installed in the field on existing valves.

**Operation:**

To engage manual operation, first pull out the spring loaded clutch lever, then rotate the clutch lever clockwise until engagement takes place. Anticlockwise lever movement disengages manual operation and returns the system to automatic operation.

**Note:** When under manual control, the valve remains locked in the last set position.

**Stroke adjustment**

The MO gearbox is equipped with two stroke adjustment bolts. These must be set for accurate valve positioning and to avoid damage to the actuator or valve spindle during manual operation. The limit stops on actuators are redundant in combination with MO-gearboxes. For stroke angle less than 80° please consult our engineering department.

**Identification:**

For basic override : MO-10.  
For complete assemblies : E25+MO-10.

**Assembly codes:**

A - Standard.  
B - Reversed operation: handwheel on the other side (factory option).

**Specification:**

Body : Cast aluminium.  
Gear quadrant : Aluminium bronze.  
Worm shaft : High grade aluminium / hard anodized.  
Temperature : -20°C to +80°C.  
Stroke adjustment : +5° and -5° at each end.  
Movement : 0° - 90°.  
Finish : Two part polyurethane coating.  
Weight : 1.5 kg.  
Fasteners : Stainless steel.

**Input / Output**

At rim No. of turns : 9.5.  
Max. input force : 82 N.  
At output shaft Max. output torque : 100 Nm.

**Optional:**

Electric position indication and vent valves (see data sheet 3.403).

EL-O-MATIC ACTUATOR WITH MANUAL OVERRIDE

MO-10