

Subject to change without notice

VALVE AUTOMATION SYSTEMS

www.elo-matic.com
ELO-MATIC

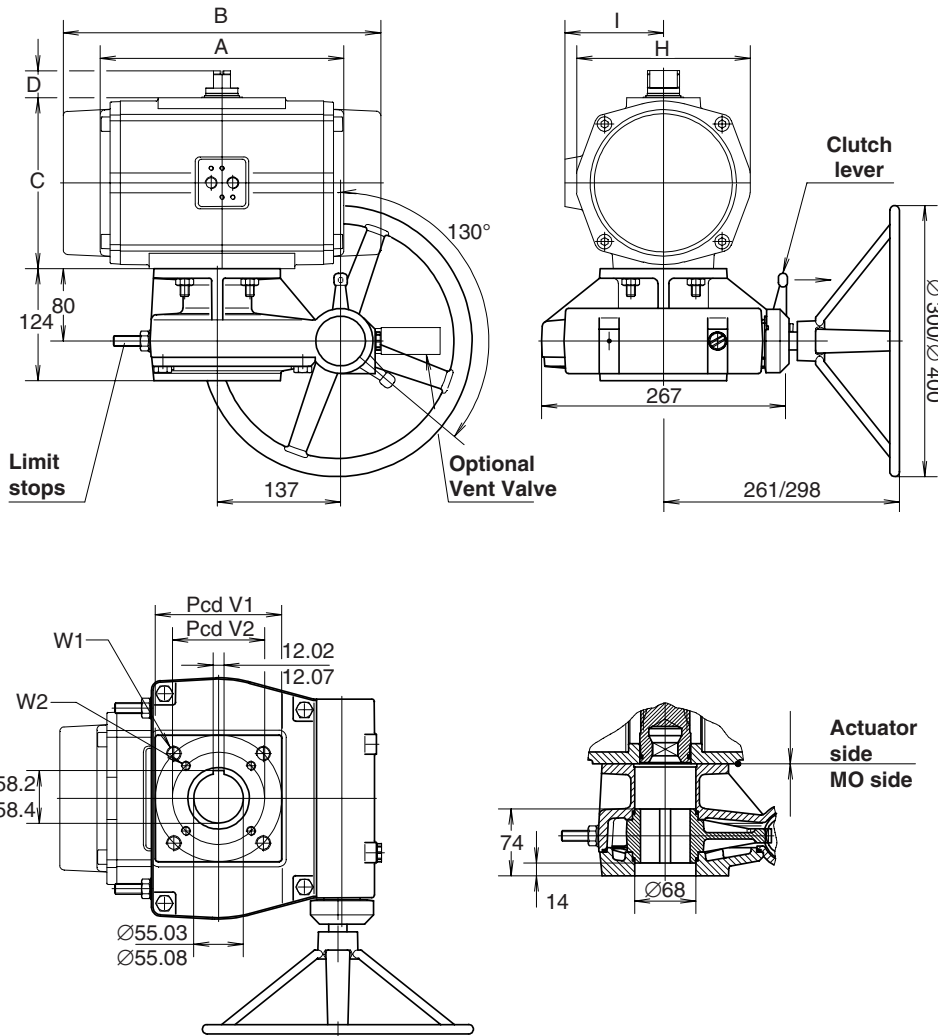
All rights reserved

3.402.3

Nr.:

Date:

June '05



Description:

The El-o-matic MO Series declutchable gear operators offers simple and reliable manual positioning of valves, dampers and other quarter-turn devices when overriding, existing pneumatic or hydraulic rotary actuators. All El-o-matic MO-units are suitable for indoor and outdoor use and combine rugged construction, light weight and modular design to provide the most efficient and cost effective solution to a full range of manual override requirements. The self-locking worm gear design means safe and easy operation, positive manual positioning and extremely long life. The El-o-matic override can be adapted to any quarter-turn actuator and may even be installed in the field on existing valves.

Operation:

To engage manual operation, first pull out the spring loaded clutch lever, then rotate the clutch lever clockwise until engagement takes place. Anticlockwise lever movement disengages manual operation and returns the system to automatic operation.

Note: When under manual control, the valve remains locked in the last set position.

Stroke adjustment

The MO gearbox is equipped with two stroke adjustment bolts. These must be set for accurate valve positioning and to avoid damage to the actuator or valve spindle, during manual operation. The limit stops on actuators are redundant in combination with MO-gearboxes. For stroke angle less than 80° please consult our engineering department.

Identification:

For basic override : MO-160 and indication of actuator size, e.g. : MO-160 for E350.

For complete assemblies : E600+MO-160.

Assembly codes:

A - Standard

B - Reversed operation: handwheel on the other side (factory option)

Specification:

- Body : Cast aluminium.
- Gear quadrant : Aluminium bronze.
- Worm shaft : High grade aluminium / hard anodized.
- Temperature : -20°C to +80°C.
- Stroke adjustment : +5° and -5° at each end.
- Movement : 0° - 90°.
- Finish : Two part polyurethane coating.
- Weight : 10.2 kg.
- Fasteners : Stainless steel.

Input / Output

- At rim : No. of turns : 20.
- : Max. input force : 400 N.
- At output shaft : Max. output torque : 1600 Nm.

Optional:

Electric position indication and vent valves (see data sheet 3.403).

Dim. in mm.	E350	E600	E950		E350	E600	E950
A (ED)	305	390	440	Pcd V1	140	125	140
B (ES)	387	480	532	Pcd V2	102	-	102
C	181	220	259	W1	M16x22	M12x20	M16x22
D	20	30	30	W2	M10x16	-	M10x16
H	173	207	231	Handwheel dia.	300	400	400
I	94.3	113	126				

EL-O-MATIC ACTUATOR WITH MANUAL OVERRIDE

MO-160