

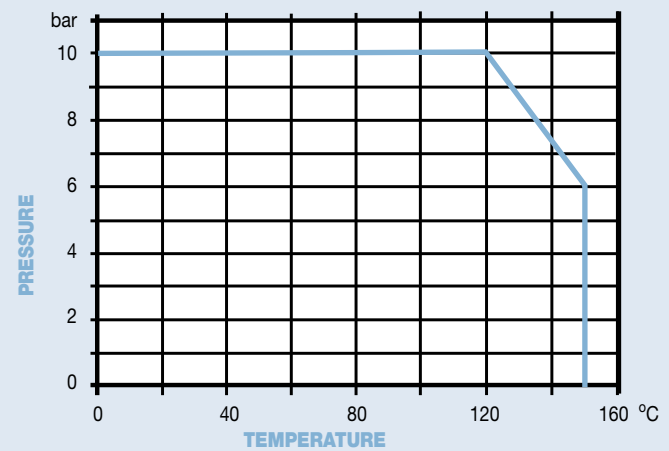
BS 10 Cast Iron Gate Valve



Features

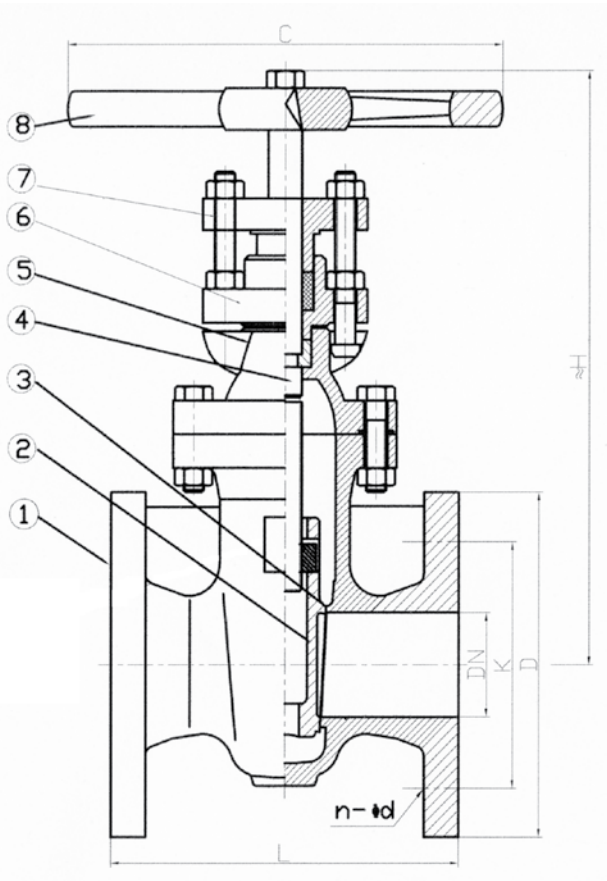
- Dimensions to BS3464
- Flanged BS 10 Table E or D
- Stem: Brass
- Wedge Face Ring: Bronze
- Seat Ring: Bronze
- Non Rising Stem

Pressure / Temperature



N.	Part Name	Materials
1	Body	Cast Iron
2	Disc Ring	Bronze
3	Seat Ring	Bronze
4	Stem	Brass
5	Bonnet	Cast Iron
6	Stuffing Box	Cast Iron
7	Gland	Cast Iron
8	Hand Wheel	Cast Iron

DN	50	65	80	100	125	150	200	250	300
L	146	159	165	172	190	210	241	273	305
D	152	165	184	216	254	279	337	406	457
K	114.3	127	146	178	210	235	292	356	406
C	180	180	200	250	280	280	340	340	400
H	290	310	340	370	455	470	620	725	775
n-ød	4-ø14.5	4-ø17.5	4-ø17.5	8-ø17.5	8-ø17.5	8-ø22.2	8-ø22.2	12-ø22.2	12-ø25.4
Kgs	14	18	22	28	42	53	77	123	152



Technical Data

Maximum Pressure 10 Bar
 Working Temperature -10°C to +150°C

Dimensions in mm

This data sheet is designed as a guide and should not be regarded as wholly accurate in every detail. We reserve the right to amend the specification of any product without notice.