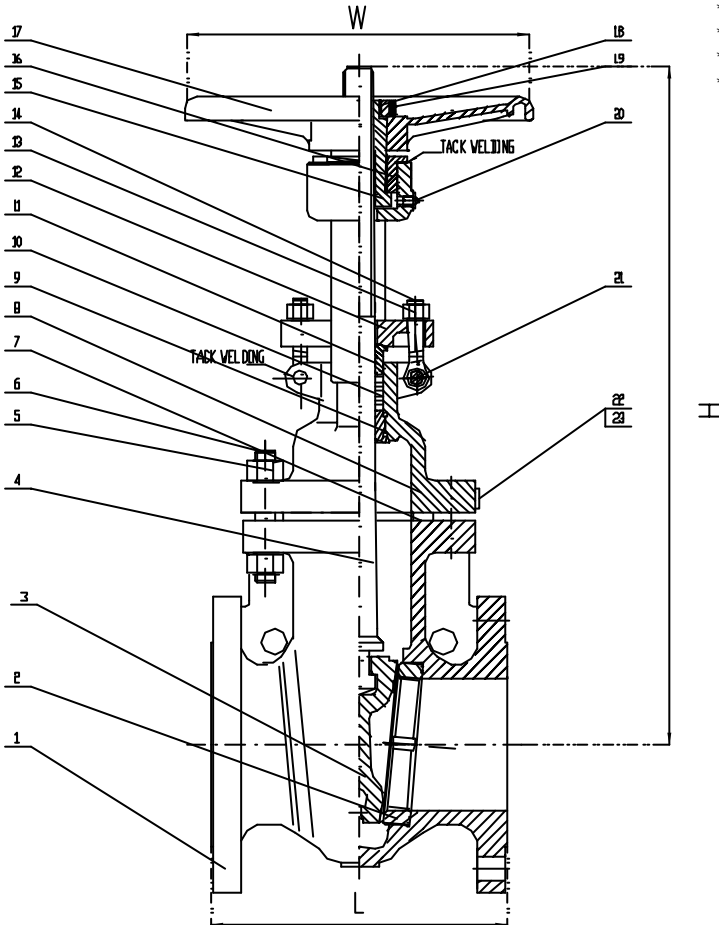


Cast Steel Wedge Gate Valves

Design & Manufacture Standards

- * Design & Manufacture to: API 600/BS EN ISO 10434:2004
- * Press/Temp to ANSI B16.34
- * Face to face to ANSI B16.10
- * Flange Dimensions/Connections to ASME B16.5: ASME B16.47: ASME B16.25
- * Test & Inspection to API 598/ISO 5208/EN 12266-1
- * NACE MR-01-75 (Latest Revision)
- * Conform to Pressure Equipment Directive 97/23/EC



Standard Material Specification - API Trim No 8

23	Rivet	BL2/Cu
22	Name Plate	1Cr18Ni9Ti/304
21	Pin	AISI1035
20	Grease Nipple	Cu
19	Hex Nut	C/Steel
18	Inner Hex Nut	ASTM A276 304
17	Handwheel	ASTM A395
16	Bearing Gland	AISI 1035
15	Stem Nut	A439 D2
14	Eye Bolt	ASTM A193 B7M
13	Nut	ASTM A194 2HM
12	Packing Gland	ASTM A216 WCB
11	Packing Plate	ASTM 276 410
10	Packing	Flexible Graphite
9	Back Seat	ASTM A182 F6
8	Bonnet	ASTM A216 WCB
7	Gasket	Graphite + St/St
6	Stud Bolting	ASTM A193 B7M
5	Nut	ASTM A194 2HM
4	Stem	ASTM A182 F6
3	Wedge	ASTM A216 WCB + F6
2	Seat	A105 + Stellite
1	Body	ASTM A216 WCB

Standard Materials (Trims as API600 - 3)

Part	Carbon Steel		Alloy Steel			Stainless Steel				
Body	A216 WCB	A352 LCB	A217 WC6	A217 WC9	A217 C5	A351 CF8	A351 CF8M	A351 CF3	A351 CF3M	CD4MCU
Bonnet	A216 WCB	A352 LCB	A217 WC6	A217 WC9	A217 C5	A351 CF8	A351 CF8M	A351 CF3	A351 CF3M	CD4MCU
Stem	A182 F6a	A182 F304	A182 F304	A182 F304	A182 F304	A182 F304	A182 F316	A182 F304L	A182 F316L	F51
Stud	A193 B7	A320 L7	A193 B16	A193 B16	A193 B8	A193 B8	A193 B8M	A193 B8	A193 B8M	A193 B8M
Nut	A194 2H	A194 4	A194 4	A194 4	A194 8	A194 8	A194 8M	A194 8	A194 8M	A194 8M
Yoke	A216 WCB	A352 LCB	A217 WC6	A217 WC9	A217 C5	A351 CF8	A351 CF8M	A351 CF3	A351 CF3M	CD4MCU
Back Seat	A182 F6a	A182 F304	A182 F304	A182 F304	A182 F304	A182 F304	A182 F316	A182 F304L	A182 F316L	F51
Packing Bush	A276 410	A276 304	A276 304	A276 304	A276 304	A276 304	A276 316	A276 304	A276 316	F51
Packing Plate	A216 WCB	A352 LCB	A217 WC6	A217 WC9	A217 C5	A351 CF8	A351 CF8M	A351 CF3	A351 CF3M	CD4MCU