

# MH733 Double Regulating Valve (DRV)

## SPECIFICATION

Y-pattern globe valve with a characterised throttling disc and ends flanged to BS EN 1092-2 PN16.

The valve opening may be set to control flow at a pre-determined rate. Operation of the valve is by means of a hand wheel incorporating a micrometer device.

The Double Regulating feature allows the valve to be used for isolation and to be re-opened to its pre-set position to maintain required flow rate.

An ANSI version is also available (MHA733).

## APPLICATION

In two unit systems, the MH733 has sufficient authority to regulate flow in circuits incorporating a flow measurement device.

Fitted with 4 x 1/4" BSPT plugs which can be replaced with Fig. 631 test points onsite to convert to Fig. MH737.

Conform to BS 7350

## MATERIALS

Name	Material
Body	Ductile Iron
Bonnet	Ductile Iron
Bonnet gasket	Non-asbestos
Disc (All sizes)	EPDM Coated Cast Iron
Disc Bush	Bronze
Stem	410 SS
Gland (65 to 150mm)	Brass
Gland (200 to 300mm)	Cast Iron
Gland nut	Brass
Packing	Non-asbestos
Seat ring	Bronze

## PRESSURE / TEMPERATURE RATINGS

Temperature °C	-10-120
Pressure (bar)	16.0

Ratings align with BS EN 1092-2 PN16 (formerly BS4504)

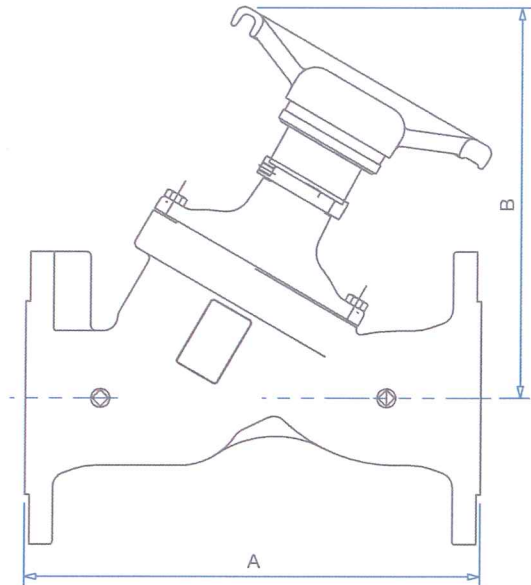
## DIMENSIONS AND WEIGHTS

DN	FACE-TO-FACE A (mm)	CENTRE-TO-TOP B (mm)	WEIGHT (kg)
65	290	262	15.8
80	310	267	19.5
100	350	300	28.0
125	400	325	37.5
150	480	340	50.5
200	600	525	123.0
250	730	575	192.0
300	850	645	251.0



MH733

## DIMENSIONAL DRAWING



## COEFFICIENTS\*

DN	FLOW (Kv)	HEADLOSS (K)
65	85	4.9
80	111	5.5
100	146	9.2
125	250	7.3
150	380	6.5
200	600	7.8
250	1211	4.6
300	1521	6.0

\* Fully open position