

Fig. M2000 Stainless Steel Metering Stations

FEATURES AND BENEFITS

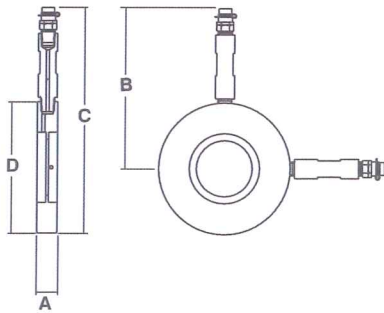
- Compact, wafer design for fitting in tight spaces
- Accurate flow measurement
- Supplied with red and blue test points for upstream and downstream port identification

MATERIAL SPECIFICATION

Component	Material	Specification	
		BS EN	ASTM
Orifice Plate	Stainless Steel	10088-1 X2 CrNiNo17-12-2	A276-316L
Extension Sleeve	Stainless Steel	10088-1 X2 CrNiNo17-12-2	A276-316L
Test Points	Fig. 631		



DIMENSIONAL DRAWINGS



DIMENSIONS AND WEIGHTS

Nom Size	mm	50	65	80	100	125	150	200	250	300
A	mm	20	20	20	20	20	20	20	20	20
B	mm	150	160	170	180	195	205	235	260	260
C	mm	205	225	240	260	290	315	370	426	481
D	mm	109	129	144	164	194	220	275	331	386
Weight	kg	1.4	1.5	1.8	2.2	2.6	3.0	4.4	5.7	7.1

PRESSURE/TEMPERATURE RATING

16 bar from -10 to 120°C

Note: The Test Point figure 631 has a maximum working temperature of 120°C.
For higher temperature requirements contact Hattersley Sales Office.

SPECIFICATION

Kitemarked to BS 7350:1990.

Outside diameter locates metering station centrally on the relevant BS EN 1092-2 PN16 flange bolting.

Compatibility with other flanges available.

Supplied complete with extensions and figure 631 test points.

Flow charts available.



Use with figure M733DR to make Commissioning Set M2733.

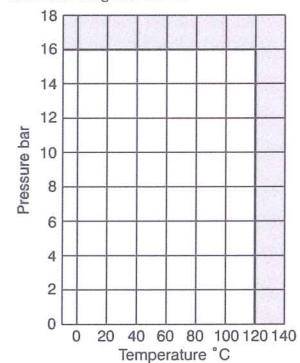


Fig. M2000 Stainless Steel Metering Stations

FEATURES AND BENEFITS

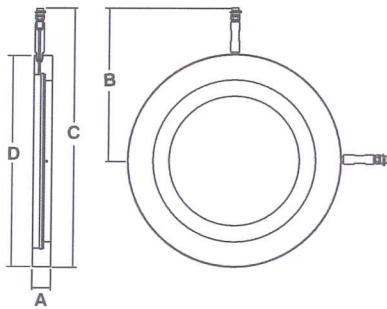
- Compact, wafer design for fitting in tight spaces
- Accurate flow measurement
- Supplied with red and blue test points for upstream and downstream port identification

MATERIAL SPECIFICATION

Component	Material	Specification	
		BS EN	ASTM
Orifice Plate	Stainless Steel	10088-1 X2 CrNiNo17-12-2	AISI 316
Extension Sleeve	Stainless Steel	10088-1 X2 CrNiNo17-12-2	AISI 316
Test Points	Fig. 631		



DIMENSIONAL DRAWINGS



DIMENSIONS AND WEIGHTS

Nom Size	mm	350	400	450	500	600
A	mm	21	21	21	23	23
B	mm	320	345	375	397	456
C	mm	545	595	655	707	825
D	mm	446	498	585	620	737
Weight	kg	12.4	14.5	18.0	22.1	36.1

PRESSURE/ TEMPERATURE RATING

PN16
16 bar from -10 to 120°C
Note: The Test Point figure 631 has a maximum working temperature of 120°C
If other test points are fitted the maximum operating temperature should be obtained from the test point manufacturer.

TEST PRESSURES (HYDRAULIC)

Shell: 24 bar

SPECIFICATION

Outside diameter locates metering station centrally on BS EN 1092-2 PN16 flange bolting.

Adaptations to suit other flanges available. Supplied complete with extensions and figure 631 test points.

Flow charts available.

Note: When used with a butterfly valve a minimum of 5 diameters of straight length of same diameter pipe as the valve must be fitted on both sides of the metering station.

