

Fig. M3000 Stainless Steel Metering Stations

FEATURES AND BENEFITS

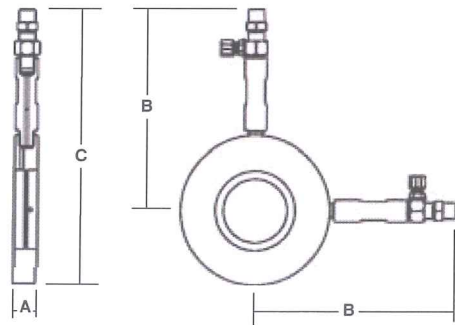
- Compact, wafer design for fitting in tight spaces
- Accurate flow measurement
- Supplied with red and blue test points for upstream and downstream port identification

MATERIAL SPECIFICATION

Component	Material	Specification	
		BS EN	ASTM
Body	Stainless Steel	10088-1 X2CrNiMo 17-12-2	AISI 316
Extension Sleeve	Stainless Steel		
Valve Controlled Test Points	Fig. 750		



DIMENSIONAL DRAWINGS



PRESSURE/ TEMPERATURE RATING

24.2 bar at 180°C

25 bar from -10 to 120°C

Note: The Valve Controlled Test Point figure 750 has a maximum working temperature of 180°C. If other test points are fitted the maximum operating temperature should be obtained from the test point manufacturer.

SPECIFICATION

Outside diameter locates metering station centrally on the relevant BS EN 1092-2 flange bolting.

Compatibility with other flanges available. Supplied complete with extensions and figure 750 test points.

Flow charts available.



Use with double regulating valve to make Commissioning Set

DIMENSIONS AND WEIGHTS

Nom Size	mm	50	65	80	100	125	150	200	250	300
A	mm	20	20	20	20	20	20	20	20	20
B	mm	165	175	185	195	208	223	253	282	312
C	mm	220	240	255	280	306	336	396	453	513
Weight	kg	1.3	1.6	1.9	2.1	2.8	3.3	5.0	6.0	7.0

Note: Weight shown above includes extensions, test points, gaskets and box.

