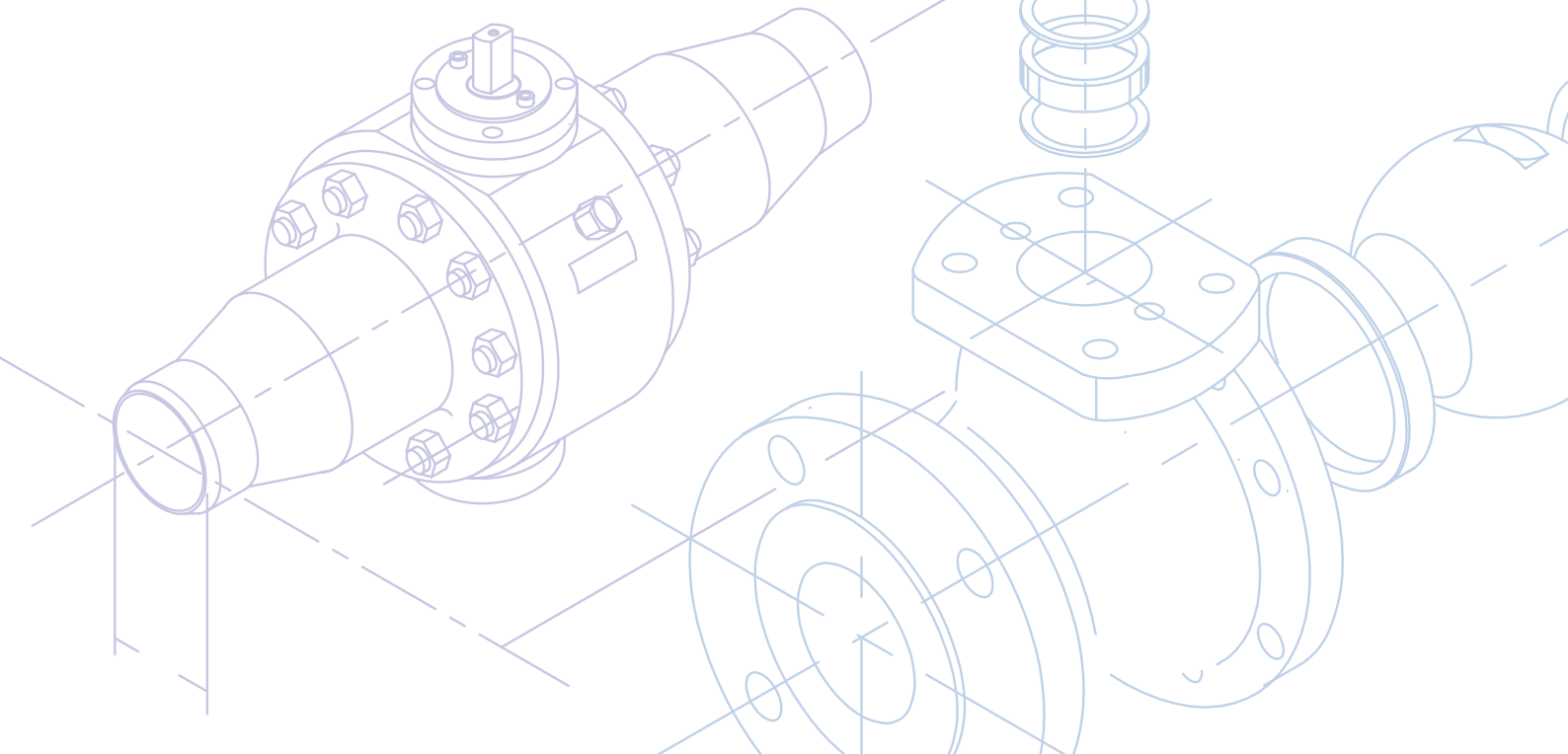


Ball valves

ASME



 **Pekos**[®]
V A L V E S



Firesafe test

Cryogenic test

Final inspection

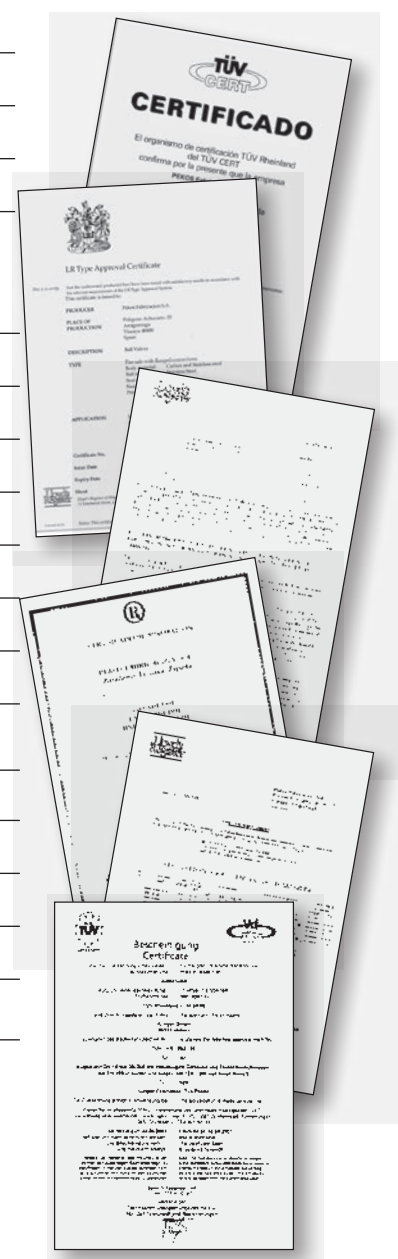
Certifications and tests

Certificates of the company

ISO 14001	Environmental Management system
ISO 9001	Quality Management system
API Monogram	Standard API 6D. certificate number: 6D-0363

Certificates of the product

DNV Type Approval	Type approval
Lloyd's Type Approval	Fire Safe & Type Approval
TÜV A352.09 AD Merkblatt A4	Design of the valves
TA - Luft ISO 15848 + VDI 2440	Stem tightness for gas emissions
Directive 2014/68/EU	Pressure equipment directive (CE marking)
Directive 2014/34/EU	ATEX directive - (IIIGD c Tx)
BS 6364	Valves for Cryogenic Service
EN 161 / EN 23553	Automatic shut-off valves for gas burners and gas equipment
Helium -40 °C	Leeds University test
EAC	TR CU 010 - TR CU 012 - TR CU 032
Sanitary approval (Russian)	Food processing and Pharmaceutical industry
IEC 61508	SIL3 CAPABLE
UKR SEPRO	Ukraine Certificate
DVGW-EN 13774	Valves for gas distribution with maximum operating pressure less than or equal to 16 bar



Some Company Approvals

- Repsol-YPF (Spain)
- Al Furat Petroleum (Syria)
- Sasol Technology (South Africa)
- EGPC (Egypt)
- China Petroleum (China)
- Qatar Petroleum (Qatar)
- Petroleum Development Oman (PDO)
- KUWAIT Oil Co. (KOC)
- Zadco (UAE)

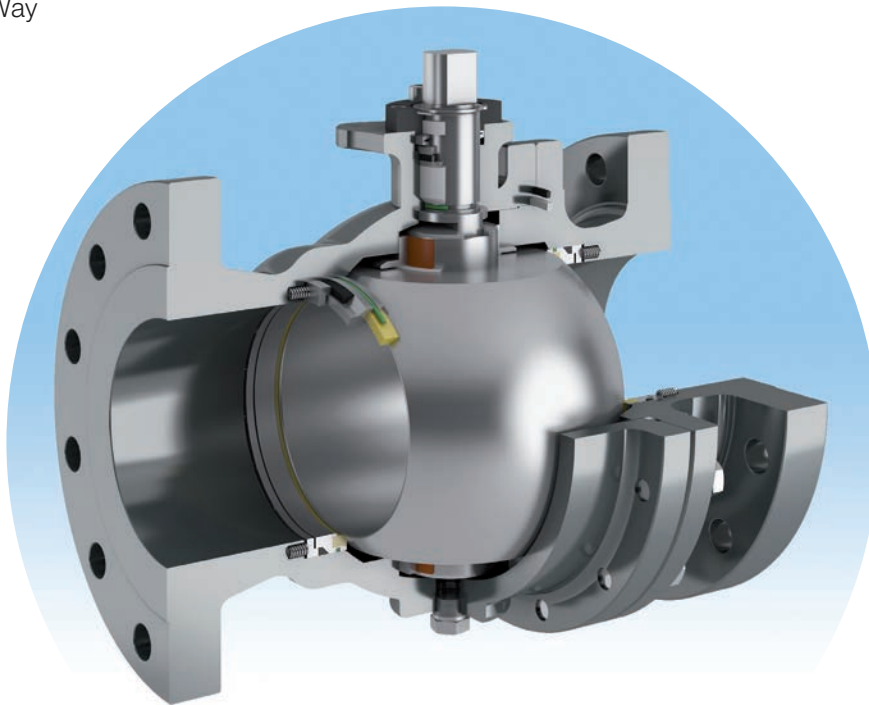
General features

- ▼ Design as per BS5351, ANSI B16.34, ISO 17292, API 6 D upon request
- ▼ ISO 5211 Top flange
- ▼ FIRE SAFE construction certified as per BS 6755 part 2, API 6FA, API 607 and ISO 10497
- ▼ Pressure testing according, API 598, ISO 5208, and API 6D upon request
- ▼ Face to face as per ANSI B16.10, API 6D, UNE-EN 558
- ▼ End connections

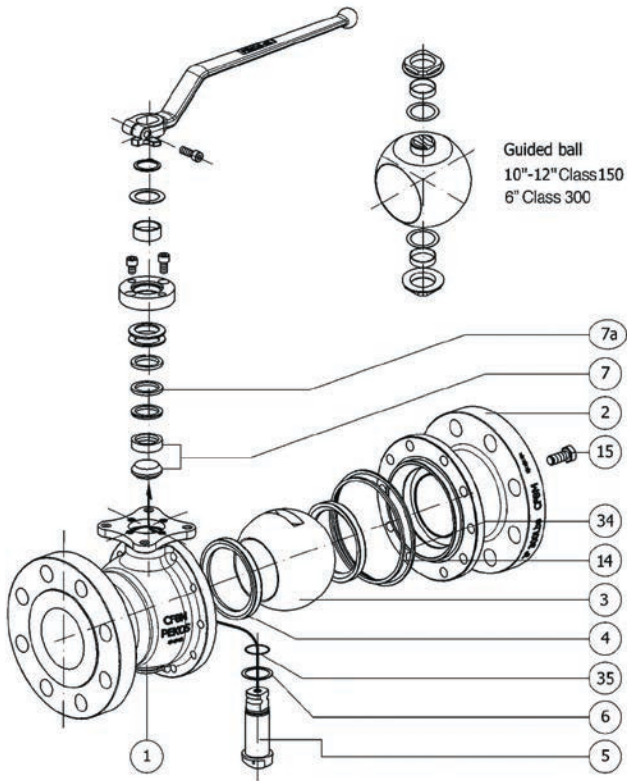
Flanged RF, RTJ.....	ASME 16.5
Socket Weld.....	ASME 16.11-UNE-EN 558
Butt Weld.....	ASME 16.25
NPT.....	ASME B1.20.1
BSPP.....	BS 21, ISO 228/1, DIN 259
BSPT.....	BS 21, ISO 7/1

Body constructions and desing advantages

- ▼ Floating ball
- ▼ Guided ball
- ▼ Full Trunnion
- ▼ Split body 2-3 pieces or 1 piece (side-entry)
- ▼ Full and Reduced bore
- ▼ Bidirectional
- ▼ ISO 5211 Top Flange
- ▼ Soft and Metal seat
- ▼ 3 & 4 Way
- ▼ Anti-blow out stem
- ▼ Antiestatic stem
- ▼ Autoadjustable packing / Maintenance free
- ▼ Standard conctruction Fire Safe
- ▼ Self cavity pressure relief
- ▼ Low emission design
- ▼ Double Block and Bleed

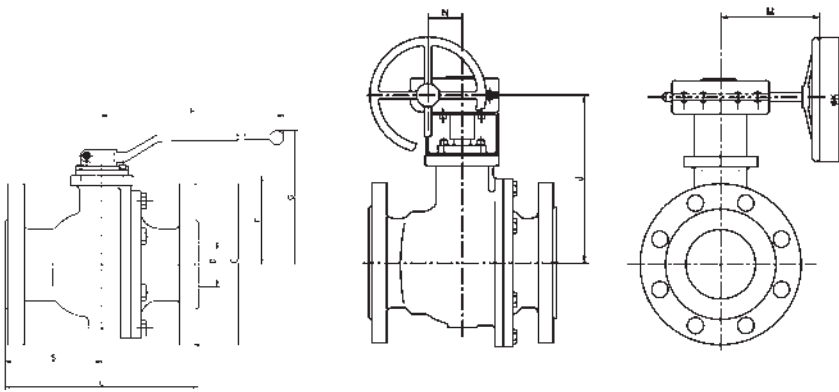


FULL BORE - FLOATING & GUIDED



Standard materials

Item	Description	Figure	
		Z14 TTTGV Z34 SSSGV Z64 SSSGV ZG14TTTGV ZG34 SSSGV	Z16 TTTGV Z36 SSSGV Z66 SSSGV ZG16TTTGV ZG36 SSSGV
1-2	Body	A216 WCC	A351CF8M
3	Ball	A351CF8M	
4	Seats	PTFE (T) PTFE+FG (R) PTFE + CG (S)	
5	Stem	AISI 316	
6	Stem seal	PTFE + CG (S)	
7	Packing 1	PTFE (T)	
7a	Packing 2	Graphite	
14	Seal body 1	PTFE (T)	
15	Bolts body	A193 B7M	A193/A320 B8M
34	Seal body 2	Graphite	
35	O'ring stem	Viton®	



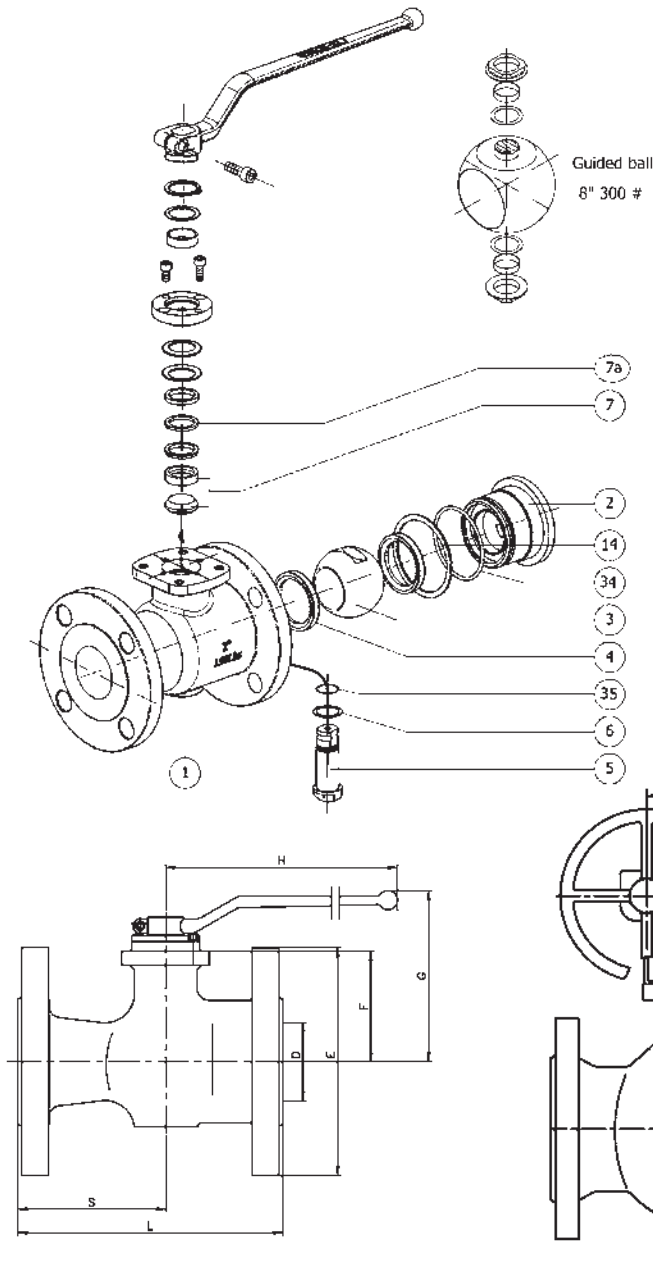
Weight (Kg)

NPS	Class 150	Class 300	Class 600	G.Box
1/2"	3	3	8	-
3/4"	3	5	9	-
1"	4	6	9	-
1 1/2"	8	10	14	-
2"	11	13	19	-
2 1/2"	17	19	22	-
3"	22	27	-	-
4"	32	44	-	-
6"	81	105	-	9
8"	143	179	-	20
10"	245	287	-	20
12"	367	480	-	20/25

Dimensions

NPS	Class 150 & 300										Class 600							Gearbox				
	D	L		E		F	G	H	S		ISO 5211	L	E	F	G	H	S	ISO 5211	J	M	N	K
		150	300	150	300				150	300												
1/2"	15	108	140	89	95	52	105	185	47	64	F05s	165	95	45	108	185	68	F05	-	-	-	-
3/4"	20	117	152	99	118	54	107	185	52	76	F05s	190	120	47	110	185	84	F05	-	-	-	-
1"	25	127	165	108	124	60	113	185	56	70	F05	216	125	53	116	185	96	F05	-	-	-	-
1 1/2"	40	165	191	127	156	75	145	293	77	78	F07	241	155	76	148	293	115	F07	-	-	-	-
2"	50	178	210	152	165	84	153	293	92	90	F07	292	165	83	156	293	129	F07	-	-	-	-
2 1/2"	65	190	241	178	190	96	166	293	95	120	F07	330	190	96	150	300	152	F07	-	-	-	-
3"	80	203	283	191	210	114	199	350	101	142	F10	-	-	-	-	-	-	-	-	-	-	-
4"	100	229	305	229	254	128	221	350	114	152	F10	-	-	-	-	-	-	-	-	-	-	-
6"	150	394	403	279	318	175	269	740	165	211	F12	-	-	-	-	-	-	-	295	287	71	400
8"	200	457	502	343	381	245	354	750	228	251	F14	-	-	-	-	-	-	-	377	305	86	500
10"	250	533	568	406	445	285	-	-	270	283	F14	-	-	-	-	-	-	-	417	305	86	500
12"	300	610	648	483	521	336	-	-	305	324	F14	-	-	-	-	-	-	-	474	346	104	500

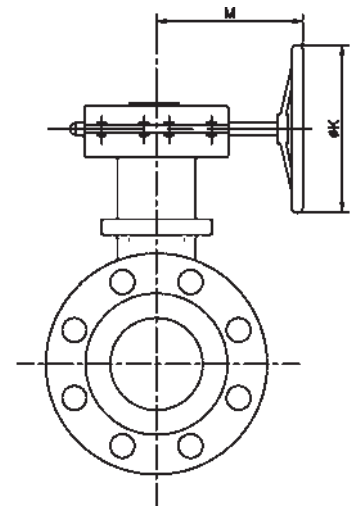
REDUCED BORE - SIDE ENTRY - FLOATING



Standard materials

Item	Description	Figure	
		ZRB14 TTGW ZRB34 SSGW ZGRB14 TTGW ZGRB34 SSGW	ZRB16 TTGW ZRB36 SSGW ZGRB16 TTGW ZGRB36 SSGW
1-2	Body	A216 WCC/A105	A351CF8M/A316
3	Ball	A351CF8M	
4	Seats	PTFE (T) PTFE + CG (S)	
5	Stem	AISI 316	
6	Stem seal	PTFE(T) / PTFE + CG (S)	
7	Packing 1	PTFE (T) / PTFE + CG (S)	
7a	Packing 2	Graphite	
14	Seal body 1	Viton®	
34	Seal body 2	Graphite	
35	Stem O-ring	Viton®	

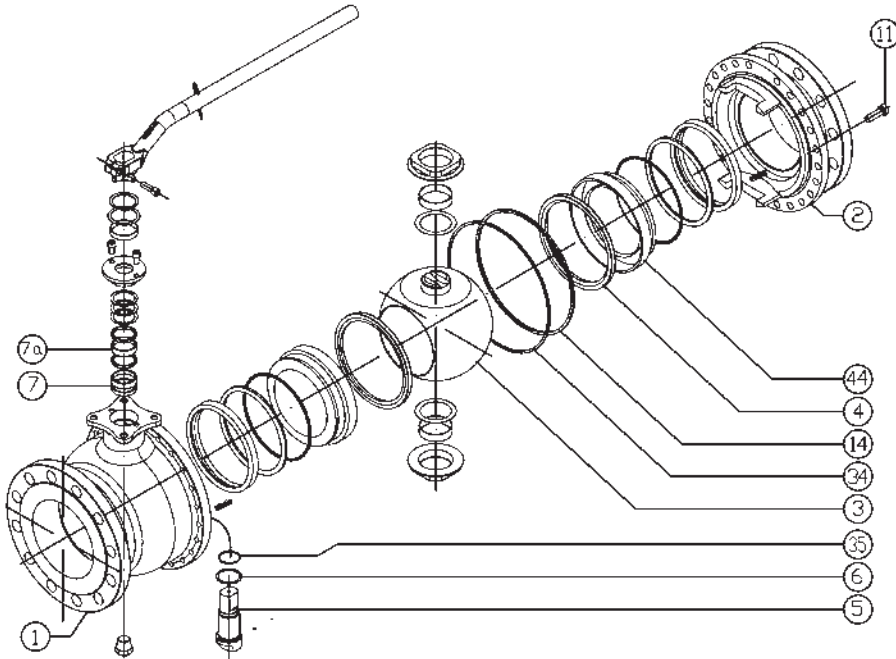
Seats/Seals available in other materials



Dimensions

NPS	D	L		E		F	G	H	S		ISO 5211	G. box				Weight (kg)		
		150	300	150	300				150	300		J	M	N	K	150	300	G.box
1/2" x 1/4"	10	108	-	89	-	43	91	185	61	-	F05s	-	-	-	-	2	2,5	-
3/4" x 1/2"	15	117	152	99	118	46	94	185	57	92	F05s	-	-	-	-	2,5	3,6	-
1" x 3/4"	20	127	165	108	124	54	102	185	72	104	F05s	-	-	-	-	3,5	4,8	-
1 1/2" x 1"	32	165	191	127	156	65	118	185	93	118	F05	-	-	-	-	5,5	9	-
2" x 1 1/2"	40	178	216	152	165	75	145	300	108	146	F07	-	-	-	-	9	12	-
3" x 2"	65	203	283	191	210	96	166	300	123	203	F07	-	-	-	-	17	25	-
4" x 3"	80	229	305	229	254	114	205	355	137	203	F10	-	-	-	-	25	39	-
6" x 4"	100	267	403	279	318	148	257	680	147	283	F12	-	-	-	-	46	75	-
8" x 6"	144	292	419	343	381	172	281	680	157	284	F12	-	-	-	-	80	118	-
10" x 8"	187	330	-	406	-	237	-	-	170	-	F14	369	305	86	500	124	-	20
12" x 10"	235	356	-	483	-	266	-	-	178	-	F14	398	305	86	500	196	-	20

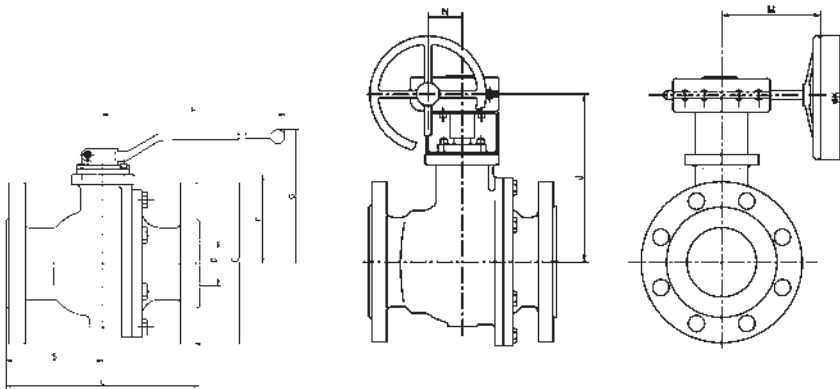
FULL TRUNNION - 2 PIECES



Standard materials

Item	Description	Figure	
		ZGS34 SSSGV	ZGS36 SSSGV
1-2	Body	A216 WCC	A351CF8M
3	Ball	A351CF8M	
4	Seats	PTFE + CG (S)	
5	Stem	A182 F51	
6	Stem seal	PTFE + CG (S)	
7	Packing 1	PTFE + CG (S)	
7a	Packing 2	Graphite	
14	Seal body 1	PTFE + CG (S)	
15	Body Bolts	A193 B7M	A193/A320 B8M
35	Stem O-ring	Viton®	
34	Seal body 2	Graphite	
44	Ring Seat	AISI 316	

Seats/Seals available in other materials



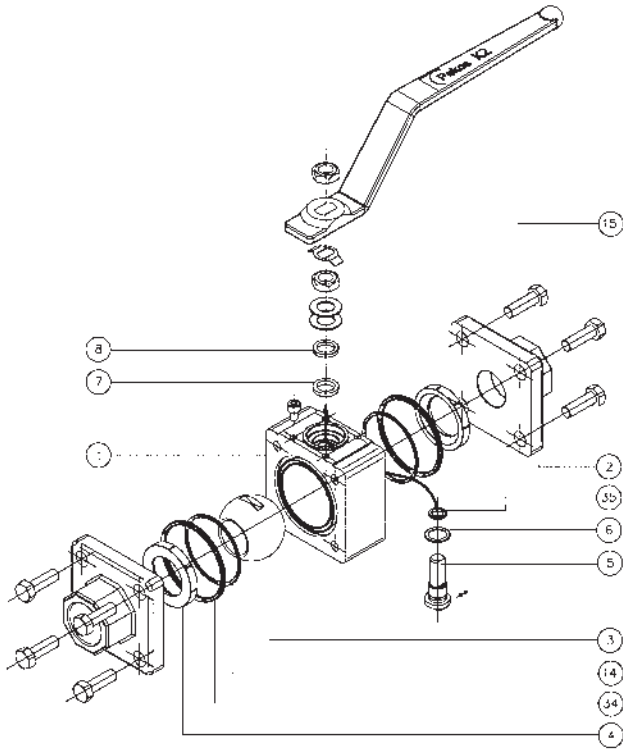
Weight (Kg)

NPS	Class 150	Class 300	G.Box
2"	12	20	-
2 1/2"	17	27	-
3"	25	43	-
4"	37	68	-
6"	100	117	9
8"	148	197	20
10"	241	284	20
12"	374	400	20/25

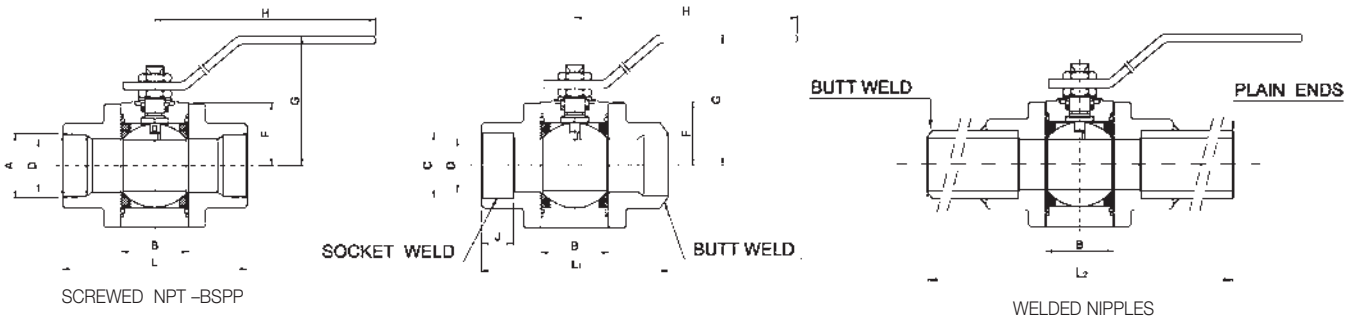
Dimensions

NPS	Class 150 & 300										Gear Box					
	D	L		E		F	G	H	S		ISO 5211		J	M	N	K
		150	300	150	300				150	300						
2"	50	178	216	152	165	84	153	293	92	90	F07	F10-1	-	-	-	-
2 1/2"	65	190	241	178	190	96	166	293	95	120	F07	F10-1	-	-	-	-
3"	80	203	283	191	210	114	199	350	101	142	F10	F12-1	-	-	-	-
4"	100	229	305	229	254	128	221	350	114	152	F10	F12-1	-	-	-	-
6"	150	394	403	279	318	175	268	740	165	211	F14-1	F14-1	295	287	71	400
8"	200	457	-	343	-	245	338	750	228	251	F16-1	F16-1	377	305	86	500
10"	250	533	-	406	-	285	-	-	270	283	F16-1	F16-1	417	305	86	500
12"	300	610	-	483	-	336	-	-	305	324	F16-1	F16-1	474	346	104	500

3 PIECES FORGED STEEL VALVES



Item	Description	Materials	
		K809 SGSGV KRB809 SGSGV	K806 SGSGV KRB806 SGSGV
1	Body 1	A350 LF2/A105	A182 F316L/F316
2	Body 2	A350 LF2/A105	A182 F316L/ F316
3	Ball	AISI 316	
4	Seats	PTFE+CG (S)	
5	Stem	AISI 316	
6	Stem seals	PTFE+CG (S)	
7	Packing ring	Graphite (G)	
8	Gland packing	AISI 316	
14	Body seal 1	PTFE+CG (S)	
15	Body bolt	A320 L7M	A193 B8MA
34	Body seal 2	Graphite (G)	
35	Stem O-ring	Viton® (V)	



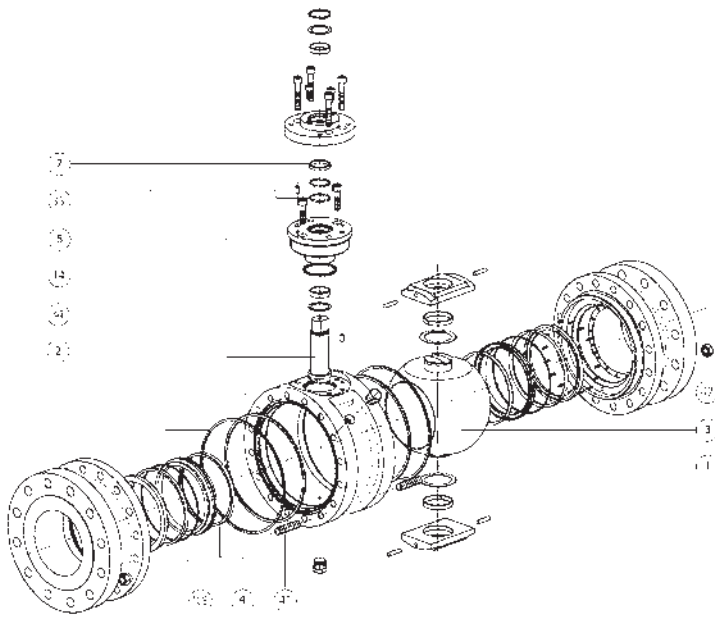
Full Bore

NPS	Class	A	B	D	F	G	H	L	L ₁	L ₂	C	J (min.)	Weight Kg
1/4"	800	1/4"	19	11	31	82	145	75	75	275	14.5	9.5	1
3/8"		19	11	31	82	145	75	75	275	18	9.5	1	
1/2"		21	15	34	85	145	80	80	280	22	9.5	1	
3/4"		28	21	39	101	180	100	100	300	27.5	12.5	2	
1"		37	25	38	105	180	110	110	310	34	12.5	3	
1 1/4"		44	32	41	108	220	120	120	320	43	12.5	4	
1 1/2"	51	38	47	110	220	140	140	340	49	12.5	6		
2"	600	2"	60	49	58	119	233	142	191	-	61.5	16	10
2 1/2"		72	62	70	143	425	170	210	-	74	16	14	
3"	400	72	76	88	170	425	305	305	-	90	16	18	

Reduced Bore

NPS	Class	A	B	D	F	G	H	L	L ₁	L ₂	C	J (min.)	Weight Kg
1/2"	800	1/2"	19	11	31	82	145	75	75	275	22	9.5	1
3/4"		21	15	34	85	145	80	80	280	27.5	12.5	1	
1"		28	21	39	101	180	100	100	300	34	12.5	2	
1 1/4"		37	25	38	105	180	110	110	310	43	12.5	3	
1 1/2"		44	32	41	108	180	120	120	320	49	12.5	4	
2"		51	38	47	110	220	140	140	340	61.5	16	6	
2 1/2"	600	2 1/2"	60	49	58	119	233	142	191	-	74	16	10
3"		72	62	70	143	425	170	210	-	90	16	14	
4"	400	72	76	88	170	425	305	305	-	115.5	17	22	

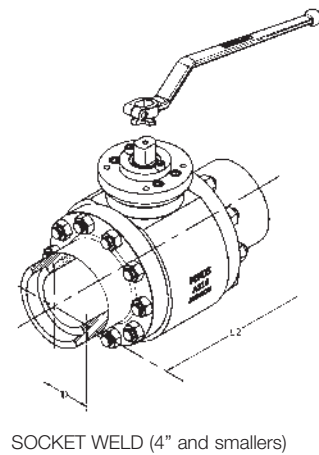
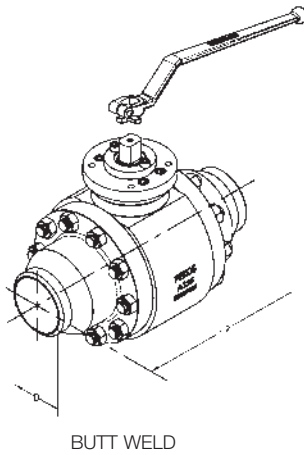
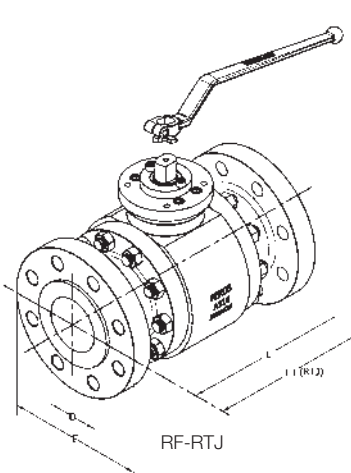
FULL TRUNNION



Standard materials

Item	Description	Figure*	
		GKS14 SGSGV GKS34 SGSGV GKS64 SGSGV GKS904 NGGVV GKS154 NGGVV GKS254 NGGVV	GKS16 SGSGV GKS36 SGSGV GKS66 SGSGV GKS906 NGGVV GKS156 NGGVV GKS256 NGGVV
1-2	Body	A105N/LF2	A182 F316
3	Ball	A182 F316 / LF2+ENP	
4	Seats	PTFE (T) PTFE +FG (R) PTFE+CG(S) DEVLON (N)	
5	Stem	A182 F51	
7	Packing	Graphite	
14-34	Body seal	Viton® - Graphite	
35	Stem O-ring	Viton®	
41	Studs	A320 L7M	A193/A320 B8M
42	Nuts	A194 7M	A194 8M
108	Seat seal	Graphite	

The reduced bore valves figure begins with GKSRB



Weight (kg)

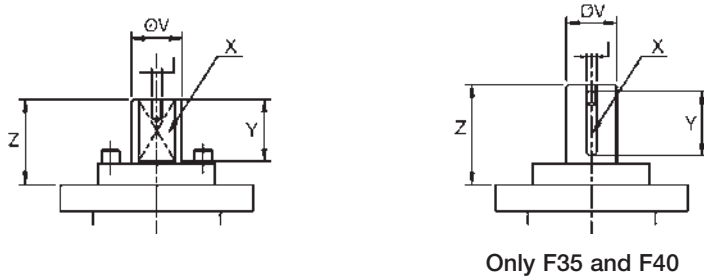
Full Bore

NPS	Class 150	Class 300	Class 600	Class 900	Class 1500	Class 2500
2"	12	25	30	45	49	65
3"	25	37	63	105	110	208
4"	37	77	108	165	182	340
6"	116	138	232	380	390	712
8"	199	239	415	640	650	1859
10"	387	437	659	952	960	2817
12"	516	729	880	1312	1320	3892
14"	688	928	1400	1595	1320	-
16"	1220	1200	1696	1692	2360	-
18"	1700	1550	2994	2755	-	-
20"	2100	2200	3475	3752	-	-
24"	3550	3730	5200	-	-	-

Reduced Bore

NPS	Class 150	Class 300	Class 600	Class 900	Class 1500	Class 2500
3" x 2"	22	35	47	82	96	128
4" x 3"	32	62	69	110	146	236
6" x 4"	71	96	120	207	286	387
8" x 6"	133	178	258	525	520	811
10" x 8"	229	330	461	702	805	2129
12" x 10"	445	572	732	1190	1140	3232
14" x 10"	593	612	977	1580	1660	-
16" x 12"	791	1140	1554	2330	2068	-
18" x 14"	1023	1375	1883	3200	-	-
20" x 16"	1955	1872	3323	4270	-	-
24" x 20"	2415	3170	4160	-	-	-

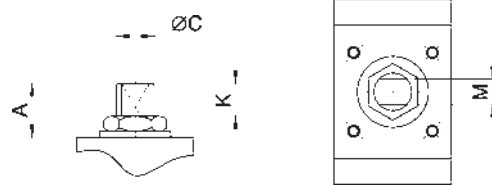
TOP FLANGE ISO 5211



ISO 5211	F05s	F05	F07	F10	F10-1	F12	F12-1	F14	F14-1	F16	F16-1	F25	F30	F30-1	F35	F40
X	11	14	17	22	17	27	22	36	27	46	36	55	75	55	Key 32X18	Key 45x25
V	14	18	22	28	22	36	28	48	36	60	48	72	98	72	120	180
Z	13,5	19,5	30	40	25	50	36	63	44	73	63	83	106	83	200	200
Y	11	17	20	22	20	35	22	40	35	60	40	70	100	70	127	190
I	M4	M4	M6	M8	M6	M8	M8	M10	M8	M10	M10	M10	M12	M10	M16	M16

TOP FLANGE ISO 5211 FOR 3 PIECES FORGED STEEL VALVES

NPS F.B.	NPS R.B.	ISO 5211	M	øC	A	K	MAST
1/4"	-	F03	5.5	M10X1	9	7	17
3/8"	1/2"	F03	5.5	M10X1	9	7	17
1/2"	3/4"	F03	5.5	M10X1	10	8	17
3/4"	1"	F04	7.5	M12X1,25	14	11	34
1"	1 1/4"	F04	7.5	M12X1,25	20	14	34
1 1/4"	1 1/2"	F05	9	M15X1,5	26	18	65
1 1/2"	2"	F05	9	M15X1,5	28	18	65
2"	2 1/2"	F05	9	M15X1,5	24	16	65
2 1/2"	3"	F07	16	M22X1,5	31	22	234
3"	4"	F07	18	M24X2	37	20	234



MAST (Maximum allowable stem torque in Nm).

MAST (Maximum allowable stem torque Nm)

Stem Material	F05s	F05	F7 / F10-1	F10 / F12-1	F12 / F14-1	F14/ F16-1	F16	F25 / F30-1	F30	F35
316	42	92	244	510	1047	2482	4926	8490	21438	14440
F51	95	207	549	1146	2356	5585	11084	19102	48235	32400
17-4 PH	153	334	885	1847	3795	8997	17856	30774	77705	52200

BREAKAWAY TORQUE (Nm)

FLOATING, GUIDED BALL

NPS FB	1/2"	3/4"	1"	1 1/2"	2"	2 1/2"	3"	4"	6"	8"	10"	12"	SEAT TYPE
NPS RB	3/4"	1"	1 1/2"	2"	2 1/2"	3"	4"	6"	8"	10"	12"	--	TYPE
Class 150	9	11	16	32	48	62	103	145	400	720	1160	1650	(T)
Class 300	17	20	23	51	84	108	180	260	828	1470	1950	2172	(S)
Class 600	20	22	50	108	188	204	--	--	--	--	--	--	(S)

FLOATING, GUIDED BALL AND 3 PIECES FORGED STEEL VALVES

NPS FB	1/4"	3/8"	1/2"	3/4"	1"	1 1/4"	1 1/2"	2"	2 1/2"	3"
NPS RB	--	1/2"	3/4"	1"	1 1/4"	1 1/2"	2"	2 1/2"	3"	4"
SEAT TYPE (S)	9	9	12	18	25	30	35	78	91	120

FULL TRUNNION

NPS FB	2"	3"	4"	6"	8"	10"	12"	14"	16"	18"	20"	24"	SEAT TYPE
NPS RB	3"	4"	6"	8"	10"	12"-14"	16"	18"	20"	--	24"	--	TYPE
Class 150	88	215	362	640	990	1340	1660	2815	3790	5100	6400	8200	(S)
Class 300	122	302	490	990	1550	2020	2450	4165	5500	8100	10800	17760	(S)
Class 600	160	420	715	1580	2500	3169	3170	6420	8600	13120	17800	27561	(S)
Class 900	215	600	920	2175	3400	4300	5100	8675	11540	18100	25340	--	(N)
Class 1500	310	880	1365	3360	5230	6580	7740	13180	17500	--	--	--	(N)
Class 2500	476	1378	2107	5369	8362	10449	12241	--	--	--	--	--	(N)

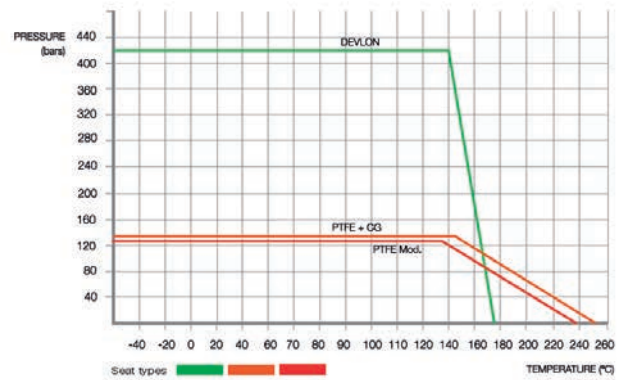
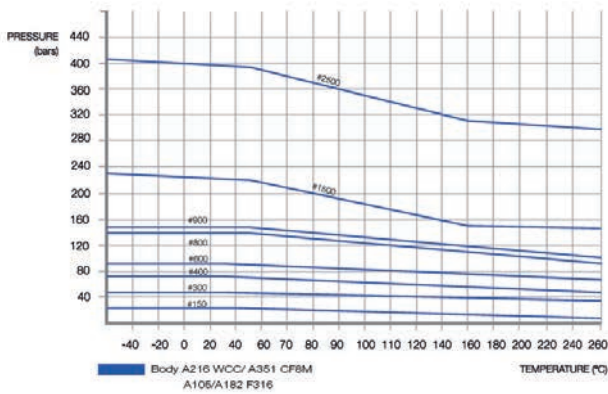
- Torque values obtained during test with water at maximum working pressure for each class on valves fitted with Pekos' standard seats material for each type of valve.
- If different material seats are used then torque values will change.
- The breakaway torques could rise by approximately 50% during first few cycles after long periods of inactivity.

Kv VALUES (m³/h)

NPS FB	1/4"	3/8"	1/2"	3/4"	1"	1 1/2"	2"	2 1/2"	3"	4"
NPS RB	--	1/2"	3/4"	1"	1 1/2"	2"	2 1/2"	3"	4"	6"
Kv	9	10	20	44	88	200	310	480	960	1700

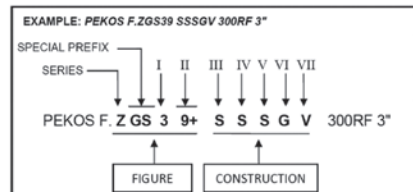
NPS FB	6"	8"	10"	12"	14"	16"	18"	20"	24"
NPS RB	8"	10"	12" - 14"	16"	18"	20"	--	24"	--
Kv	4100	8200	11500	18340	26300	30200	35400	54100	70300

Pressure – Temperature limitations



How to order PEKOS ball valves

SERIES	SPECIAL PREFIX	FIGURE				COMPONENT OTHER THAN BALL & BODY	CONSTRUCTION			
		CLASS	BODY	BALL			III SEAT	IV STEM PACKING	V VI BODY SEAL	VII STEM O-RING
Z - Updated packing design	B - Sampling valve C - Cavity filler D - Seat & Stem sealant fitting D4 - Seat sealant fitting D5 - Stem sealant fitting DBB - 3 pieces, 2 balls F - Security stem extension F1 - Security stem extension with double packing G - Guided ball H - Heating Jacket (semi) I - Inclined stem J - Heating jacket (full) K - 3 Pieces M - Metallic seat N - FMSS O - Degressed P - Protected seat R - Scraper seat RB - Reduced bore S - Spring seat TH - Threaded body U - Unidirectional V - O-ring seat W - Welded body X - Double piston effect X1 - Double piston effect with single seat	0 - F4/F5 1 - CL-150 2 - F1 / F2 3 - CL-300 4 - CL-400 5 - Tank bottom 6 - CL-600 7 - 4 Ways 8 - 3 ways 9 - Wafer 15 - CL-1500 * 25 - CL-2500 * 80 - CL-800 90 - CL-900	0 Special 1 Cast Iron 2 Cast Iron 3 WCC A105 4 WCC A105 5 LCC LF2 6 CF8M F316 7 1,4539 904L 8 CF8M F316L 9 LCC LF2 A F51 1,4470 4A 1,4470 B F53 1,4410 5A 1,4469 C F55 1,4501 6A 1,4501	Special CF8M 1,4408 CF8 1,4027 CA15 AISI 410 A105/LF2+ENP A105/LF2+ENP AISI 410 CA15 1,4408 1,4462 CF8M F51 CF8M F51 1,4539 904L CF8M F51 LCC CF8M F51 F51 F51 1,4462 F53 F53 1,4410 F55 F55 1,4501	+ NON STANDARD MATERIAL	A - BLUEGLASS B - PFA C - Cr Carbide (CrC) D - DELRIN® E - PTFE+EKONOL F - DUPLEX G - GRAPHITE H - COLMONOY I - AISI 316 K - PCTFE L - Stellite N - DEVLON® V O - PEEK+PTFE+FG P - PEEK Q - PEEK + 12% PTFE R - PTFE + 25% FG S - PTFE + 25% CG T - PTFE U - UHMWPE V - FKM X - PTFE + 50% SS. W - Tu Carbide (WC) Z - PEEK+PTFE+CG	B - PFA G - GRAPHITE R - PTFE + 25% FG S - PTFE + 25% CG T - PTFE U - UHMWPE	A - FEPM B - PFA C - METAL SEAL E - EPDM F - FLUROSILICONE (FVMQ) H - HNBR I - SILICONE (VMQ) K - FFKM L - CHLOROPRENE N - NBR O - NEOPRENE V - FKM	A - FEPM E - EPDM H - HNBR I - SILICONE (VMQ) K - FFKM L - CHLOROPRENE N - NBR O - NEOPRENE V - FKM	



NOTE 1 : * Carbon steel valves class 1500 and above will be assembled with bodies in A105 and ball in F51 material.
 NOTE 2 : When both seats of a valve are not assembled with the same material, marking will be as follows: Fig. XTGGNN where X — Body 2 (adapter) seat material; T — Body seat material
 NOTE 3 : Heating jacket connection flanges will be marked as follows: DN, PN, heat number and material.
 NOTE 4 : In case various special prefixes have to be used in the same valve configuration, this order will be followed: special prefix column from top to bottom.
 Example : Reduced bore valve with security stem extension and heating jacket: Fig. FHRB
 NOTE 5 : Valves size DN32 or NPS 1 1/2" and above will be CC marked according to 2014/34/EU Directive ATEX marking will be stamped in all sizes.
 NOTE 6 : Full Trunnion mounting will correspond to Fig. GS or GKS
 NOTE 7 : METAL TO METAL VALVE WITH STEM IN XM-19 & FULL TRUNNION VALVE (FIG.GS & GKS) WITH STEM IN F51 or 1,4462 & FLOATING VALVE CLASS 600 WITH STEM IN XM-19.
 NOTE 8 : V-PORT VALVES will be coded with VP + n° of degrees after the construction. Example: ZU 06 TTTG VP30 PN16 DN100 for a 30° valve



ASME

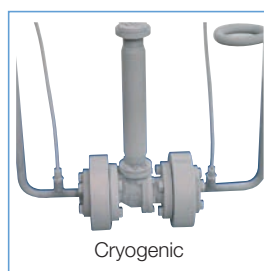
From 1/4" up to 24"
 ANSI 150-300-600-900-1500-2500
 From - 196 °C up to +700 °C



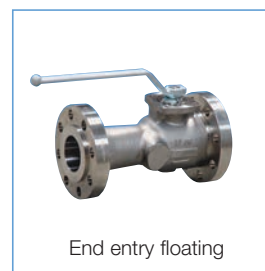
Split body floating



Full trunnion



Cryogenic



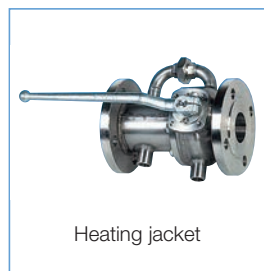
End entry floating



3 & 4 way floating and trunnion



Wafer



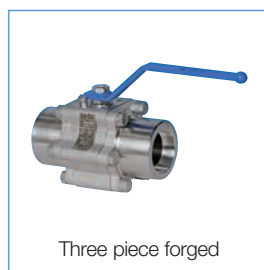
Heating jacket



Tank bottom



Metal to metal



Three piece forged



www.pekos.es

Rec del Molinar, 9 - P.I. El Circuit 08160 Montmeló (Barcelona) - Spain
 Tel.: (+34) 93 568 92 56
pekos@pekos.es

Member of
Pekos Group
www.pekosgroup.eu

Pekos Valves reserves the right to amend and change specifications without prior notice. Published data may be subject to change.

May - 2018 - REV. 3