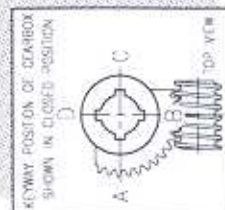


DESCRIPTION
 TRAVEL : 90° ±5° AT BOTH ENDS.
 RATIO : 40 : 1
 TURNS TO CLGSE : 10
 WEIGHT : 0,8 kg.(1,8 lb.) excl.hondwheel

MOUNTING DIMENSIONS
 BOLT CIRCLE : min. $\phi 50 [1.97]$
 (OFF CENTER) : max. $\phi 70 [4.92]$
 ecc. ISO 5211 : F05 - F07
 BORE : max. $\phi 15 [0.59]$ #17

TORQUE
 max.OUTPUT : 125 Nm (1100 lbf.in.)
 max.INPUT : 13 Nm (113 lbf.in.)
 M.A. : 9,6 ±10%



Dimensions in MM [inch]



VALVE-ACTUATORS
 HOLLAND

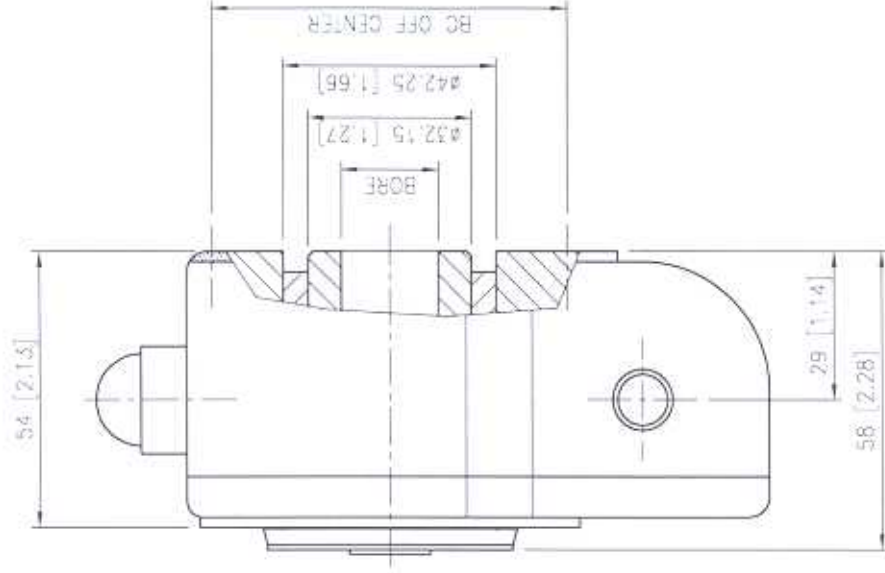
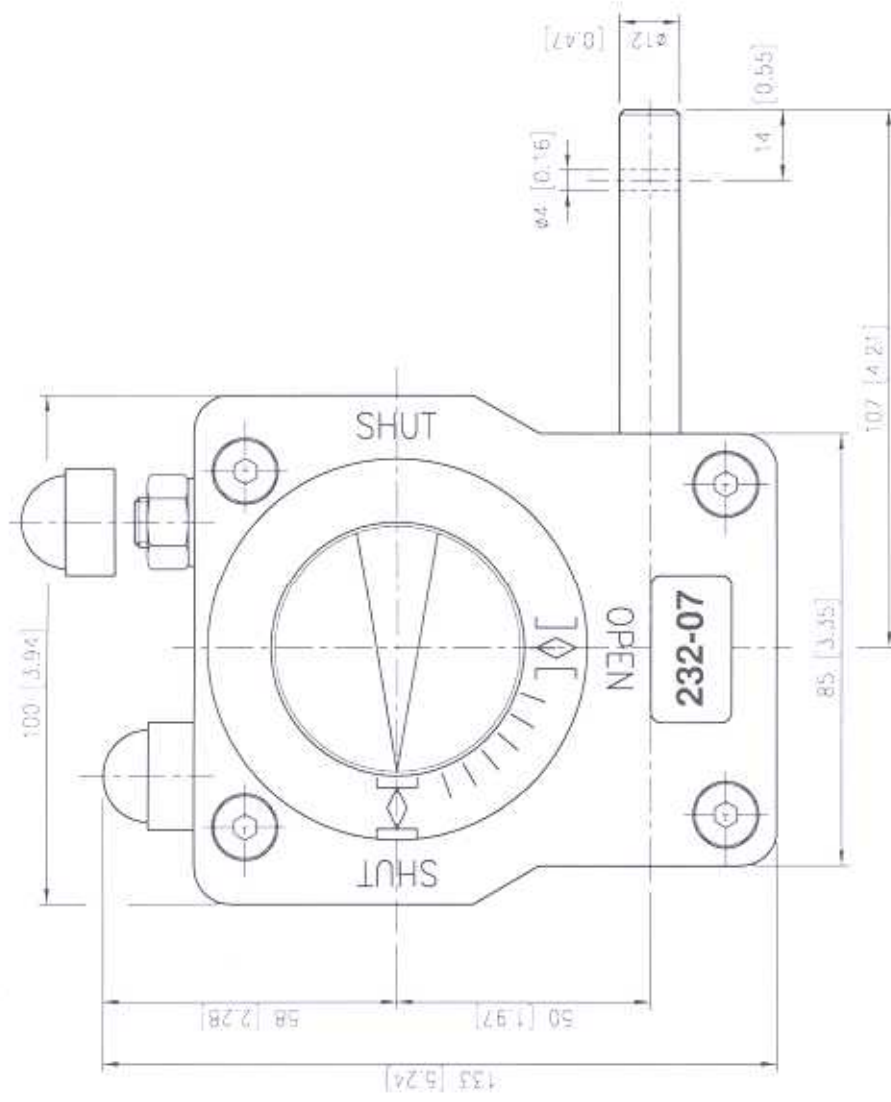
GEARBOX 232-05

DRAWN : H.L.

d.d. : JAN. 2000

DRW.NC. : D52N-001

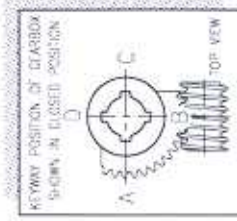
rev.: 02



DESCRIPTION
 TRAVEL : 90° ±5° AT BOTH ENDS.
 RATIO : 37 : 1
 TURNS TO CLOSE : 9,25
 WEIGHT : 1,8 kg.± 3,9 Lb. incl. hand wheel

MOUNTING DIMENSIONS
 BOLT CIRCLE : min. $\phi 50 [1.79]$
 (OFF CENTER) : max. $\phi 70 [2.76]$
 acc. ISO 5211 : F05 - F07
 BORE : min. 10.4 [0.41] max. $\phi 25 [0.98]$ #17

TORQUE
 max. OUTPUT : 250 Nm (2200 lbf.in.)
 max. INPUT : 21 Nm (182 lbf.in.)
 M.A. : 11,9 ± 10%



Dimensions in MM [inch]



VALVE-ACTUATORS
 HOLLAND

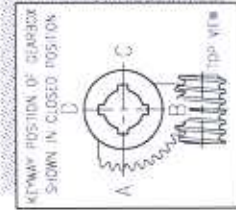
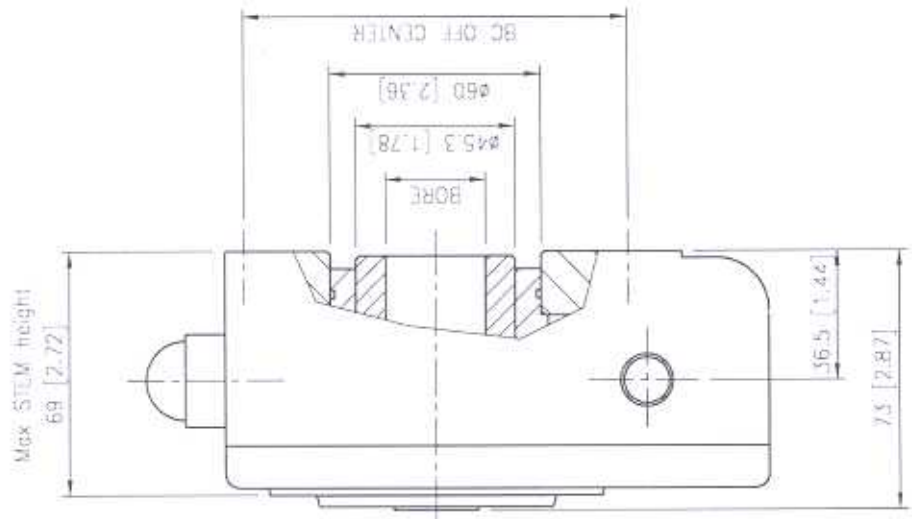
GEARBOX 232-07

DRAWN : H.L.

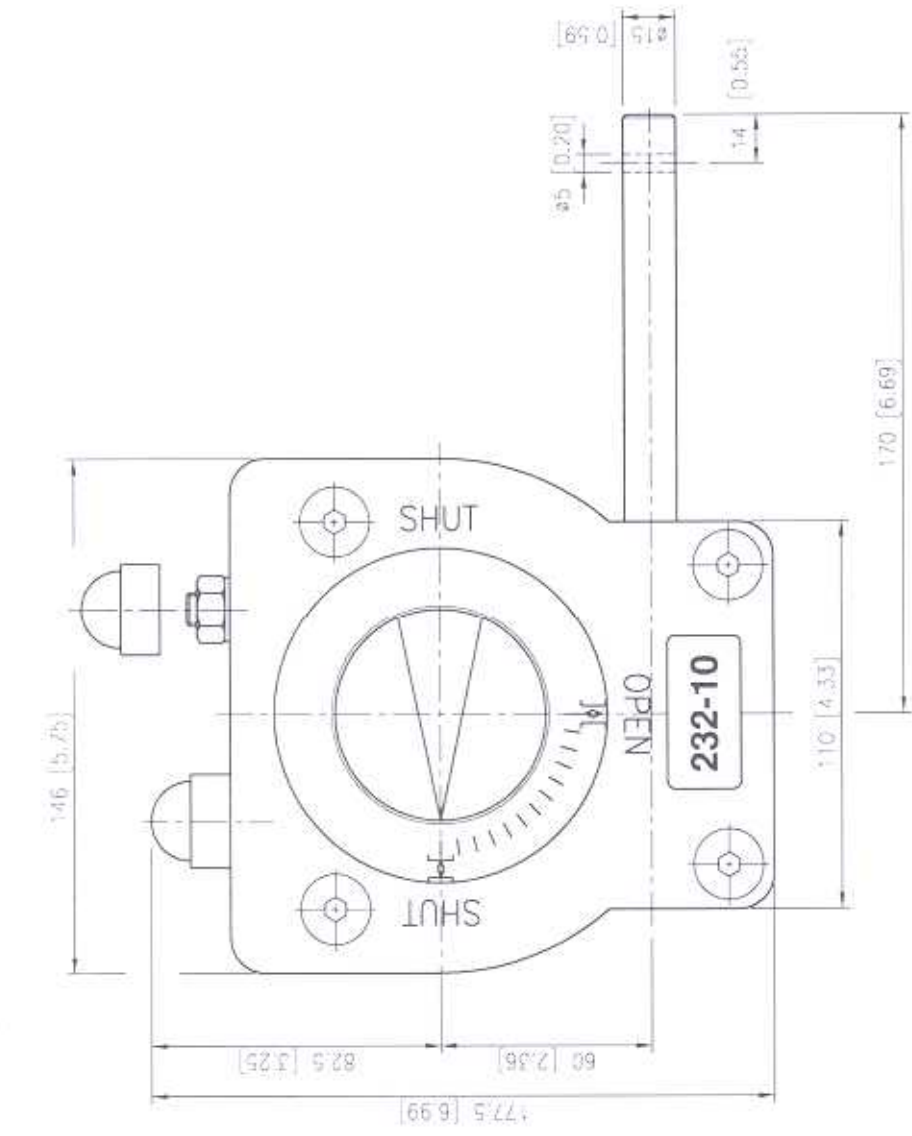
d.d. : JAN 2000

DRW.NO. : D50N-001

rev.: 02



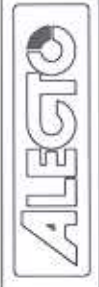
Dimensions in MM [inch]



DESCRIPTION
 TRAVEL : 90° ±5° AT BOTH ENDS.
 RATIO : 45 : 1
 TURNS TO CLOSE : 11,25
 WEIGHT : 3,3 kg.(7.2 lb.) excl.handwheel

MOUNTING DIMENSIONS
 BOLT CIRCLE : min. Ø70 [2.76]
 (OFF CENTER) : max. Ø125 [4.92]
 acc. ISO 5211 : F07-F10-F12
 BORE : min.16[0.63]max.Ø35[1.38]#24

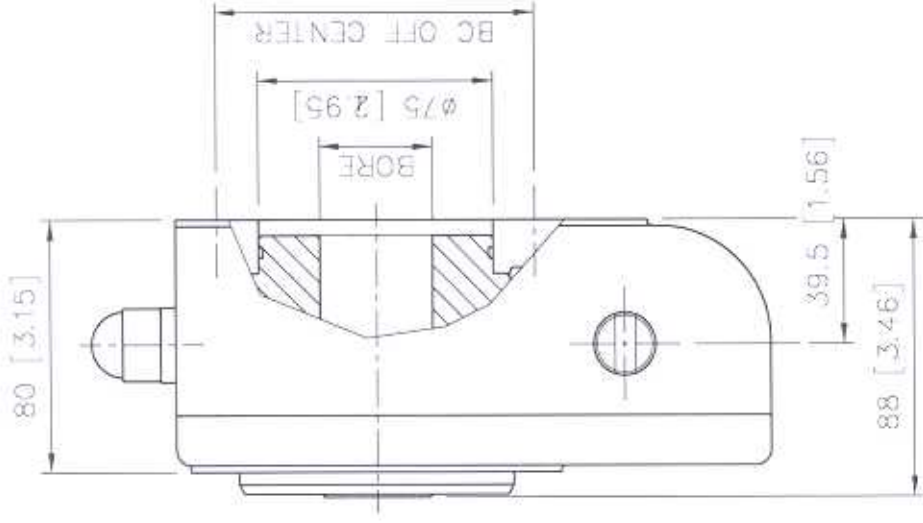
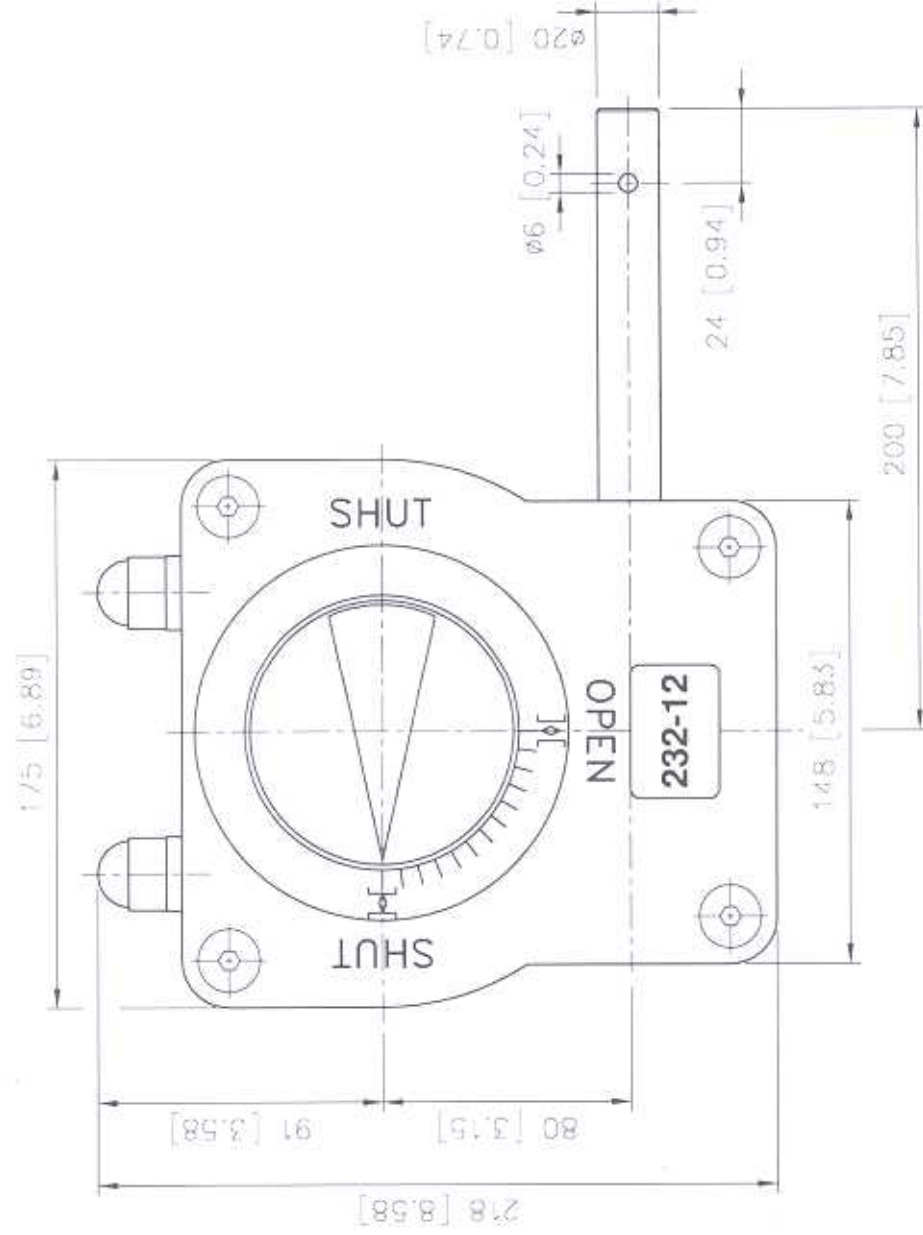
TORQUE
 max.OUTPUT : 500 Nm (4400 lbf.in.)
 max.INPUT : 39 Nm (338 lbf.in.)
 M.A. : 12,8 ±10%



VALVE-ACTUATORS
 HOLLAND

GEARBOX 232-10

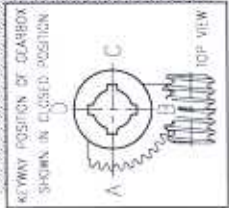
DRAWN : H.L.
 d.d. : JAN. 2000
 DRW.NO. : D51N-001 rev. 02



DESCRIPTION
 TRAVEL : 90° ±5° AT BOTH ENDS.
 RATIO : 40 : 1
 TURNS TO CLOSE : 10
 WEIGHT : 7 kg.(15.4 lb.) excl.handwheel

MOUNTINGHOLES
 BOLT CIRCLE : min. $\phi 102 [4.02]$
 (OFF CENTER) (OFF CENTER)
 OCC. ISO 5211 : F10-F12-F14
 BORE : min.16[0.63] max. $\phi 55 [2.17]$ #46

TORQUE
 max.OUTPUT : 1000 Nm (8800 lbf.in.)
 max.INPUT : 100 Nm (880 lbf.in.)
 M.A. : 10 ±10%



Dimensions in MM [inch]



VALVE-ACTUATORS
 HOLLAND

GEARBOX 232-12

DRAWN : H.L.
 DRAW NO : D53N-001 rev : 02

d.d : JAN. 2000