

## 4 METAL STAR FORGED STEEL BALL VALVES



PED 97/23 EC

**CE** 0038

Certificate N°: RPS 0160304/01

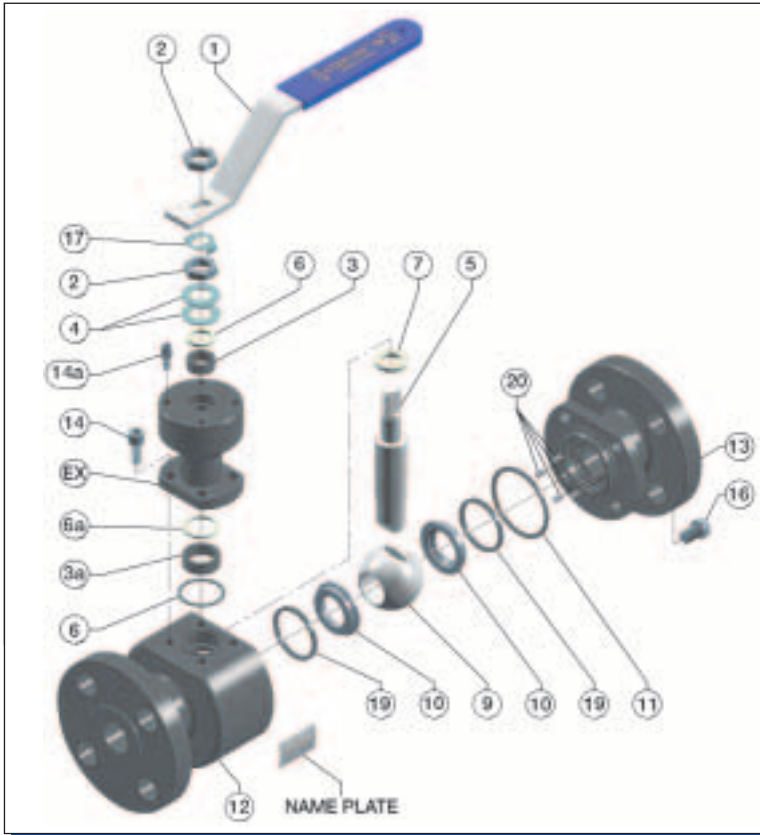
ATEX 94/9 CE



Tech. File N° ST01 ATEX



6D-0233

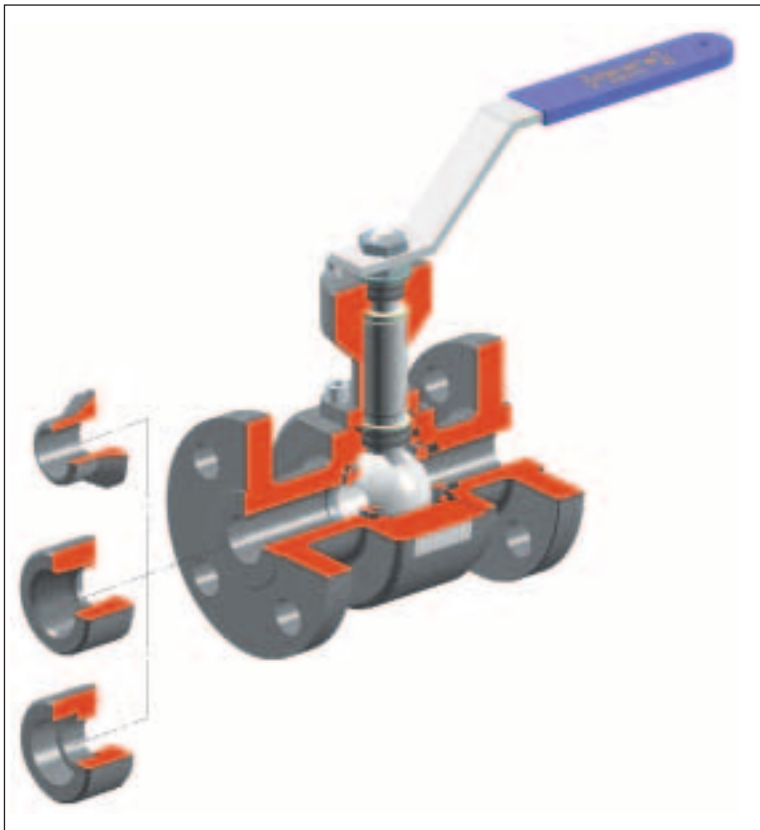


STARLINE Figure No.	Full Bore	143 MGG	145 MGG	146 MGG
	Reduced Bore	243 MGG	245 MGG	246 MGG
PART NO	UNIT Q.TY	PART NAME	MATERIALS	
			A105 / 316	LF2 / 316
NP	1	NAME PLATE	Stainless Steel	Stainless Steel
G	1	EXTENTION GASKET	Graphite	Graphite
EX	1	EXTENTION	ASTM A105N	ASTM A350 LF2
1	1	HANDLE	Stainless Steel + Plastic	Stainless Steel + Plastic
2	2	HANDLE NUT	C.S. Zinc Plated	Stainless Steel
3	3+3	PACKING RING	Graphite	Graphite
4	2	SPRING WASHER	Special S.S. for Springs	Special S.S. for Springs
5	1	STEM	UNS S31803	UNS S31803
6	1+1	GLAND PACKING	Stainless Steel	Stainless Steel
7	1	THRUST WASHER	Stainless Steel	Stainless Steel
9	1	BALL	S.S. 316 Hardnet note 3	S.S 316 Hardnet note 3
10	2	SEATS	S.S. 316 Hardnet note 3	S.S 316 Hardnet note 3
11	2	BODY GASKET	Graphite	Graphite
12	1	BODY	ASTM A105N	ASTM A305 LF2
13	1	END CONNECTION	ASTM A105N	ASTM A350 LF2
14	4	EXTENTION SCREW	Stainless Steel	Stainless Steel
14a	1	STOP PIN	Stainless Steel	Stainless Steel
16	nota 1	BOLTS	ASTM A193 B8	ASTM A193 B8
17	1	STOP WASHER	Stainless Steel	Stainless Steel
19	2	SEAT SEALS	Graphite	Graphite
20	nota 2	SEAT SPRINGS	Inconell X-750	Inconell X-750

**NOTE:**

- 1) For size 1/4" to 1.1/2" n° 4 bolts - For size 2" n° 6 bolts
- 2) For size 1/4" to 1.1/2" n° 4 springs - For size 2" n° 6 springs.
- 3) Surface are coated with tungsten carbide, chrome carbide, stellite 6 and other coated on request

- Suggested materials after 2 years service
- Suggested materials after 5 years service



**DESCRIPTION**

**CONSTRUCTION:** TWO PIECES BOLTED CONSTRUCTION - ANTI BLOW OUT PROOF STEM DESIGN - SOLID BALL AND METAL SEATS SURFACES ARE COATED WITH TUNGSTEN CARBIDE, CHROME CARBIDE AND STELLITE 6 - ANTISTATIC DEVICE - FIRE SAFE DESIGN - ISO 5211 ON THE TOP FOR EASY AUTOMATION.

**SIZE:** DN 8 ÷ 50 FULL BORE -- DN 20 ÷ 80 REDUCED BORE  
1/4" ÷ 2" FULL BORE -- 3/4" ÷ 3" REDUCED BORE

**CLASS:** PN16 ÷ 100 or ASME 150 ÷ 600 LBS

**TEMPERATURE:** -200° C UP TO +700° C

**MATERIAL:** ASTM A105 - LF2 - 316 - 316L - F22 - INCONEL AND SPECIAL MATERIALS

**DESIGN:** ASME B16.34 - ASME B31.1 - BS5351 - API 6D - P.E.D. 97/23/EC ATEX 94/9 CE

**MARKING:** MSS SP25

**CE 0038:** ACCORDING TO DIRECTIVE 97/23/CE - MODULE H CATEGORY III NOTIFIED BODY LLOYD'S REGISTERED CERTIFICATE NR. RPS 01060304/01

**Ex IM2/II 2GD:** ACCORDING TO ATEX 94/9 CE - TECHNICAL FILE NR. ST01 ATEX

**TEST CERTIFICATE:** UNI EN 10204 TYPE 3.1B UNLESS OTHERWISE REQUIRED

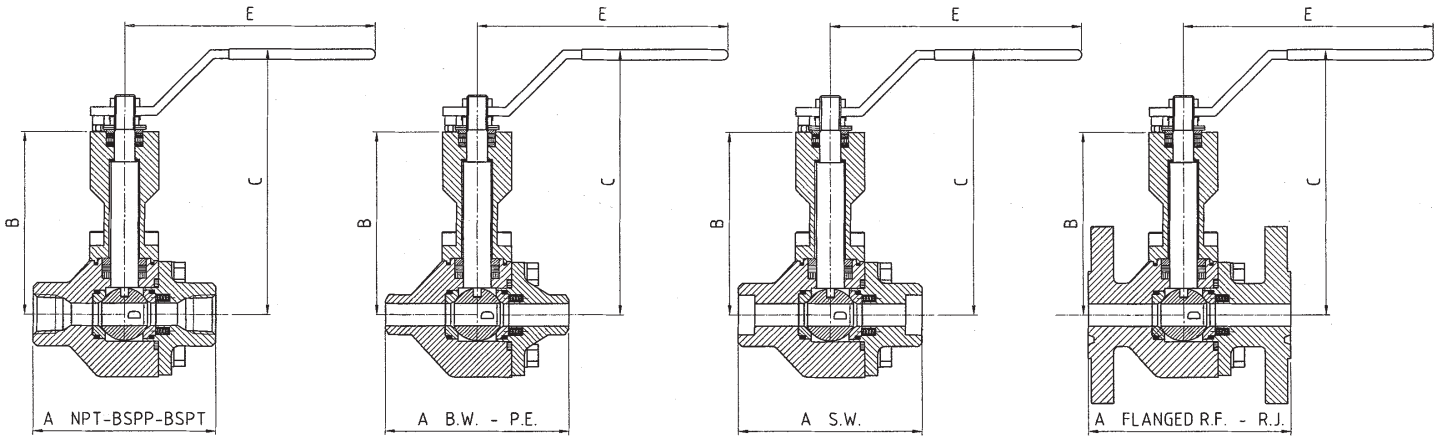
**SERVICES:** FOR EXTREME TEMPERATURE, ABRASIVE AND CORROSIVE SERVICE

BSP Parallel: BS21Rp - ISO 228/1 - ISO 7/1Rp  
 BSP Taper: BS21Rc - ISO 7/1Rc - DIN 2999/1  
 NPT: ANSI B1 20.1

B.W. - P.E.: ANSI B16.25 Sch. 40 - XS - 80 - 160  
 Note: other overall lengths are available on request.

S.W.: ANSI B16.11

FLANGES in according to ASME / ANSI B 16.5  
 FACE TO FACE in according to ASME / ANSI B16.10  
 Note: when flanges are RF type of finish must be stated on the order



FULL BORE																			
VALVE SIZE		A							B	C	D	E	ISO 5211	WEIGHT KG./LBS					
		NPT BSP BSPT BW SW	FLANGED											150 RF	300 RF - JR	600 RF - RJ	PN 16-40	PN 63	PN 100
			150 RF	300 RF	300 RJ	600 RF	600 RJ	PN 10/100											
DN	8	106	-	-	-	-	-	-	106	160	13	193	F04	3.5	-	-	-	-	-
Inch	1/4"	4.3/16"	-	-	-	-	-	-	4.17"	6.30"	51"	7.60"	F04	7.7	-	-	-	-	-
DN	10	106	-	-	-	-	-	130	106	160	13	193	F04	3.5	-	-	5	6	6
Inch	3/8"	4.3/16"	-	-	-	-	-	5.1/8"	4.17"	6.30"	51"	7.60"	F04	7.7	-	-	11	13.2	13.2
DN	15	106	140	140	151	165	163.5	130	106	160	13	193	F04	3.2	4.5	5	7	5	6
Inch	1/2"	4.3/16"	5.1/2"	5.1/2"	5.15/16"	6.1/2"	6.7/16"	5.1/8"	4.17"	6.30"	51"	7.60"	F04	7	9.9	11	15.4	11	13.2
DN	20	110	152	152	165	191	191	150	110	165	19	193	F04	4.5	5.5	6.5	10.5	6.5	8.5
Inch	3/4"	4.5/16"	6"	6"	6.1/2"	7.1/2"	7.1/2"	5.7/8"	4.33"	6.50"	75"	7.60"	F04	10	12.1	14.3	23.1	14.3	18.7
DN	25	127	165	165	178	216	216	160	117	183	25	222	F05	7	7.5	9	13.5	9	11
Inch	1"	5"	6.1/2"	6.1/2"	7"	8.1/2"	8.1/2"	6.5/16"	4.60"	7.20"	1"	8.75"	F05	15.5	16.5	19.8	29.8	19.8	24.2
DN	32	180	178	178	191	229	229	180	152	235	38	365	F07	11	13	15	25.5	15	23.5
Inch	1.1/4"	7.1/8"	7"	7"	7.1/2"	9"	9"	7.1/8"	6"	9.25"	1.5"	14.4"	F07	24	28.6	33	56	33	52
DN	40	180	191	191	203	241	241	200	152	235	38	365	F07	11	14	17	28	17.5	25.5
Inch	1.1/2"	7.1/8"	7.1/2"	7.1/2"	8"	9.1/2"	9.1/2"	8.1/4"	6"	9.25"	1.5"	14.4"	F07	24	30.8	37.5	62	38.6	56.2
DN	50	216	216	216	232	292	295	230	167	-	50	-	F07	16	20	24	34	25	30
Inch	2"	8.1/2"	8.1/2"	8.1/2"	9.1/8"	11.1/2"	11.5/8"	9.1/16"	6.57"	-	1.97"	-	F07	35	44	53	75	55	66

NOTE:  
 For size DN 40 or 1.1/2" gear operated for class 300 to 600 or PN 40 to 100  
 For size DN 50 or 2" gear operated for all pressure ratings

REDUCED BORE																			
VALVE SIZE		A							B	C	D	E	ISO 5211	WEIGHT KG./LBS					
		NPT BSP BSPT BW SW	FLANGED											150 RF	300 RF - JR	600 RF - RJ	PN 16-40	PN 63	PN 100
			150 RF	300 RF	300 RJ	600 RF	600 RJ	PN 10/100											
DN	20	106	152	152	165	191	191	150	106	160	13	193	F04	3.2	5	6	8	6	7
Inch	3/4"	4.3/16"	6"	6"	6.1/2"	7.1/2"	7.1/2"	5.7/8"	4.17"	6.30"	51"	7.60"	F04	7	11	13.2	17.6	13.2	15.4
DN	25	110	165	165	178	216	216	160	110	165	19	193	F04	4.5	6	7.5	12.5	7.5	9.5
Inch	1"	4.5/16"	6.1/2"	6.1/2"	7"	8.1/2"	8.1/2"	6.5/16"	4.33"	6.50"	75"	7.60"	F04	10	13.2	16.5	27.5	16.5	21
DN	32	127	178	178	191	229	229	180	117	183	25	222	F05	7	8.5	11	15	11	13
Inch	1.1/4"	5"	7"	7"	7.1/2"	9"	9"	7.1/8"	4.60"	7.20"	1"	8.75"	F05	15.5	18.7	24.2	33	24.2	28.6
DN	40	180	191	191	203	241	241	200	152	235	38	365	F07	11	14	17	28	17.5	25
Inch	1.1/2"	7.1/8"	7.1/2"	7.1/2"	8"	9.1/2"	9.1/2"	8.1/4"	6"	9.25"	1.5"	14.4"	F07	24	30.8	37.5	62	38.6	55
DN	50	180	216	216	232	292	295	230	152	235	38	365	F07	11	17	21	36	22	28
Inch	2"	7.1/8"	8.1/2"	8.1/2"	9.1/8"	11.1/2"	11.5/8"	9.1/16"	6"	9.25"	1.5"	14.4"	F07	24	37.5	46.3	79.4	48.5	62
DN	80	216	283	283	298	356	359	310	152	-	38	-	F07	16	28	32	44	34	36
Inch	3"	8.1/2"	11.1/8"	11.1/8"	11.3/4"	14"	14.1/8"	12.3/16"	6"	-	1.5"	-	F07	35	62	71	97	75	80

NOTE:  
 For size DN 50 or 2" gear operated for class 300 to 600 or PN 40 to 100  
 For size DN 80 or 3" gear operated for all pressure ratings

## SALES ORGANIZATION



### MAIN DISTRIBUTORS

**Norway, Sweden, Denmark, Netherlands,  
Belgium, Switzerland, Austria, Greece,  
Brasil, Usa, Canada, Australia, New Zeland, South Africa,  
UAE, Czech Republic, Slovakia, Poland  
Singapore, Romania, Oman, Saudi Arabia, Kuwait**

### STARLINE S.p.A.

Via F. Baracca, 30 - 24060 S. PAOLO D'ARGON (Bergamo) ITALY  
Phone: 0039 035/958041/958102 - Fax: 0039 035/958413  
<http://www.starline.it> - e-mail: [starline@starline.it](mailto:starline@starline.it)

**STARLINE BALL VALVES LTD**  
Telford Way Stephenson Ind. Est.  
Coalville Leicestershire LE 67 3HE  
Great Britain  
Phone: 0044 (0)1530815818  
Fax: 0044 (0)1530815819  
<http://www.acvalvealliance.com>  
e-mail: [Starline@acvalvealliance.com](mailto:Starline@acvalvealliance.com)

**STARLINE FRANCE**  
7, Parc d'Activités  
de la Verdrière 1  
13880 VELAUX - France  
Phone: 0033 (0)442878400  
Fax: 0033 (0)442878404  
<http://www.star-line.fr>  
e-mail: [infos@star-line.fr](mailto:infos@star-line.fr)

**STARLINE IBERICA S.A.**  
Poligono Industrial El Circuit  
C/Rec Del Molinar F-3  
08160 Montmelò Barcelona - Spain  
Phone: 0034 (0)935799370  
Fax: 0034 (0)935799244  
<http://www.starline.es>  
e-mail: [starline@starline.es](mailto:starline@starline.es)

**STARLINE VALVES OY**  
Martinkyläntie, 39  
01720 Vantaa - Finland  
Phone: 0035 (0)898787711  
Fax: 0035 (0)898787221  
<http://www.starline.fi>  
e-mail: [starline@starline.fi](mailto:starline@starline.fi)

**STARLINE Armaturen GmbH**  
Industriestrasse, 25  
64569 Nauheim - Germany  
Phone: 0049 (0)6152987655  
Fax: 0049 (0)6152987656  
e-mail: [starline.gmbh@t-online.de](mailto:starline.gmbh@t-online.de)

Your Representative: